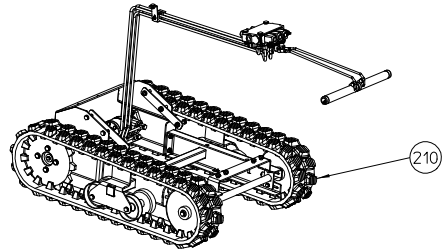
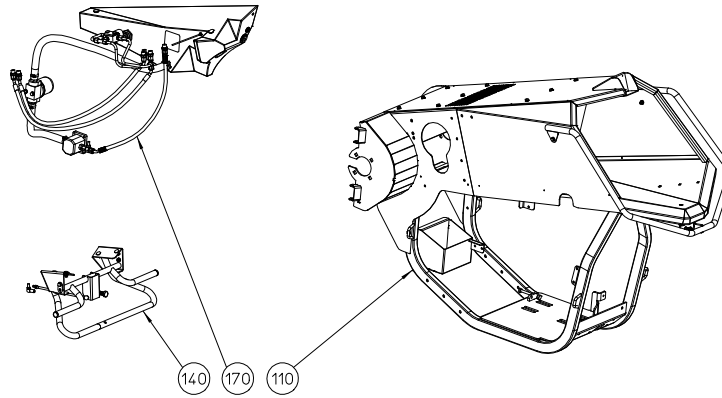


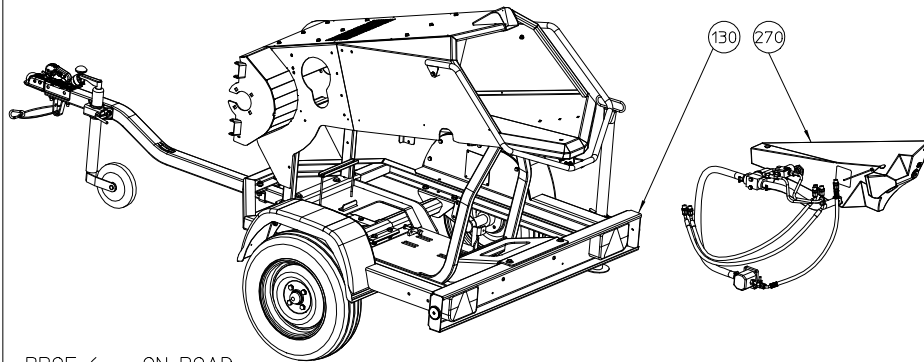
PROF 6 -- ON WHEEL



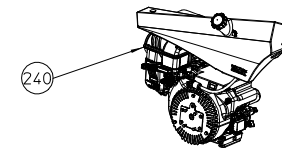
PROF 6 -- CROSS COUNTRY



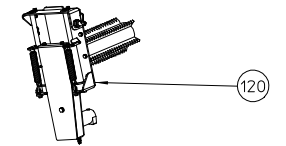
PROF 6 -- ON WHEEL + CROSS COUNTRY



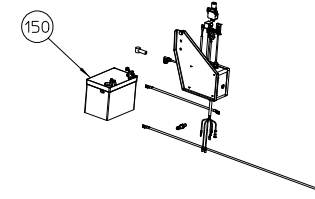
PROF 6 -- ON ROAD



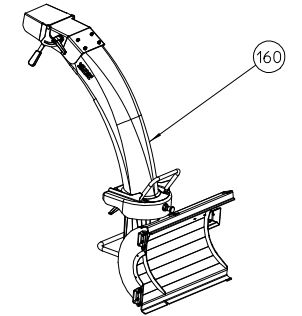
240



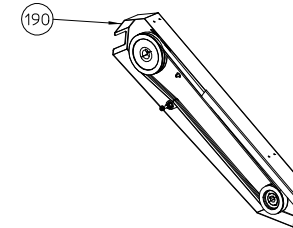
120



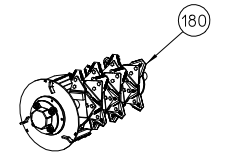
150



160

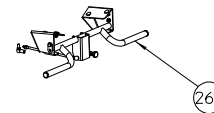


190



180

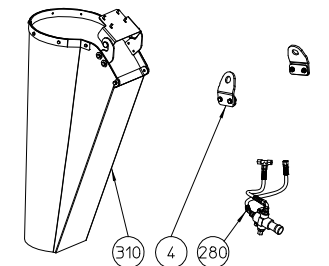
PROF 6 -- ON WHEEL
+ CROSS COUNTRY
+ ON ROAD



260

PROF 6 -- PTO + ON ROAD

PROF 6



PROF 6 -- OPTION

PROF 6 -- GENERAL

NO	MMA 01 054 100	REV	2	DATE	2021/02/18
----	----------------	-----	---	------	------------

#	Order nr	article description	quantity
4	MA 029 001 004		1
110	MMA 01 054 110	frame	1
120	MMA 01 054 120	feeder	1
130	MMA 01 054 130	trailer	1
140	MMA 01 054 140	feeder and driving unit controls	1
150	MMA 01 054 150	electrical system	1
160	MMA 01 054 160	ejection assembly	1
170	MMA 01 054 170	hydraulic system	1
180	MMA 01 054 180	rotor prof 6	1
190	MMA 01 054 190	transmission	1
200	MMA 01 054 200	wheel assembly - on wheels	1
210	MMA 01 054 210	track assembly - cross country	1
240	MMA 01 054 240	engine b&s vanguard	1
260	MMA 01 054 260	feeder control - on road	1
270	MMA 01 054 270	hydraulics - on road	1
280	MMA 01 054 280	feeder speed regulator	1
310	MMA 01 073 310	collecting bag	1

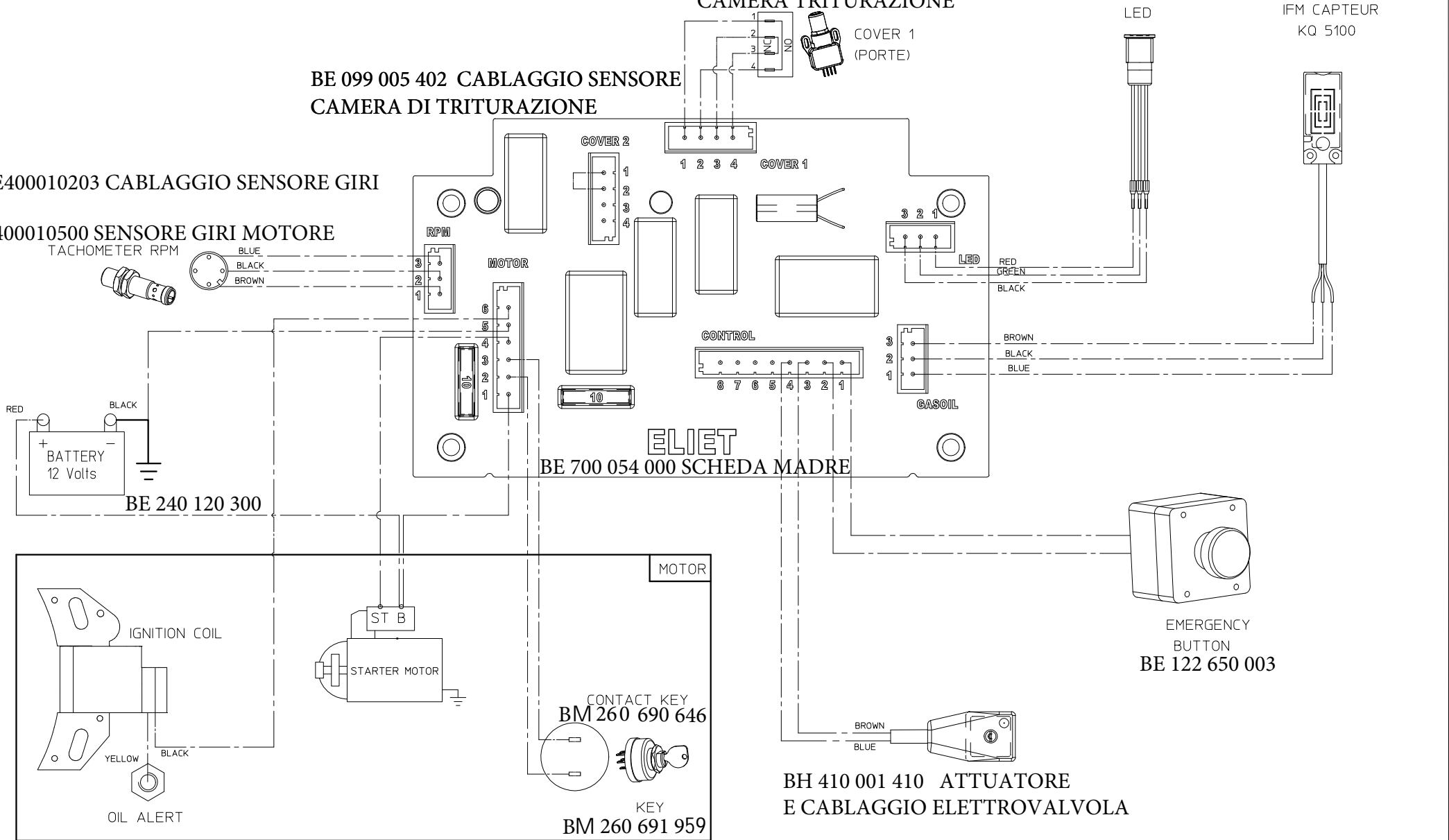
BE 400 010 600 SENSORE E
CABLAGGIO
SERBATOIO CARBURANTE

BE 120 030 020 SENSORE
CAMERA TRITURAZIONE

BE 099 005 402 CABLAGGIO SENSORE
CAMERA DI TRITURAZIONE

BE400010203 CABLAGGIO SENSORE GIRI

BE400010500 SENSORE GIRI MOTORE
TACHOMETER RPM



LED
IFM CAPTEUR
KQ 5100

COVER 1
(PORTE)

COVER 2

1 2 3 4 COVER 1

RPM

MOTOR

LED

RED
GREEN
BLACK

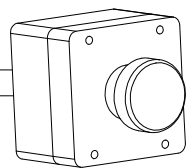
CONTROL

GASOIL

BROWN
BLACK
BLUE

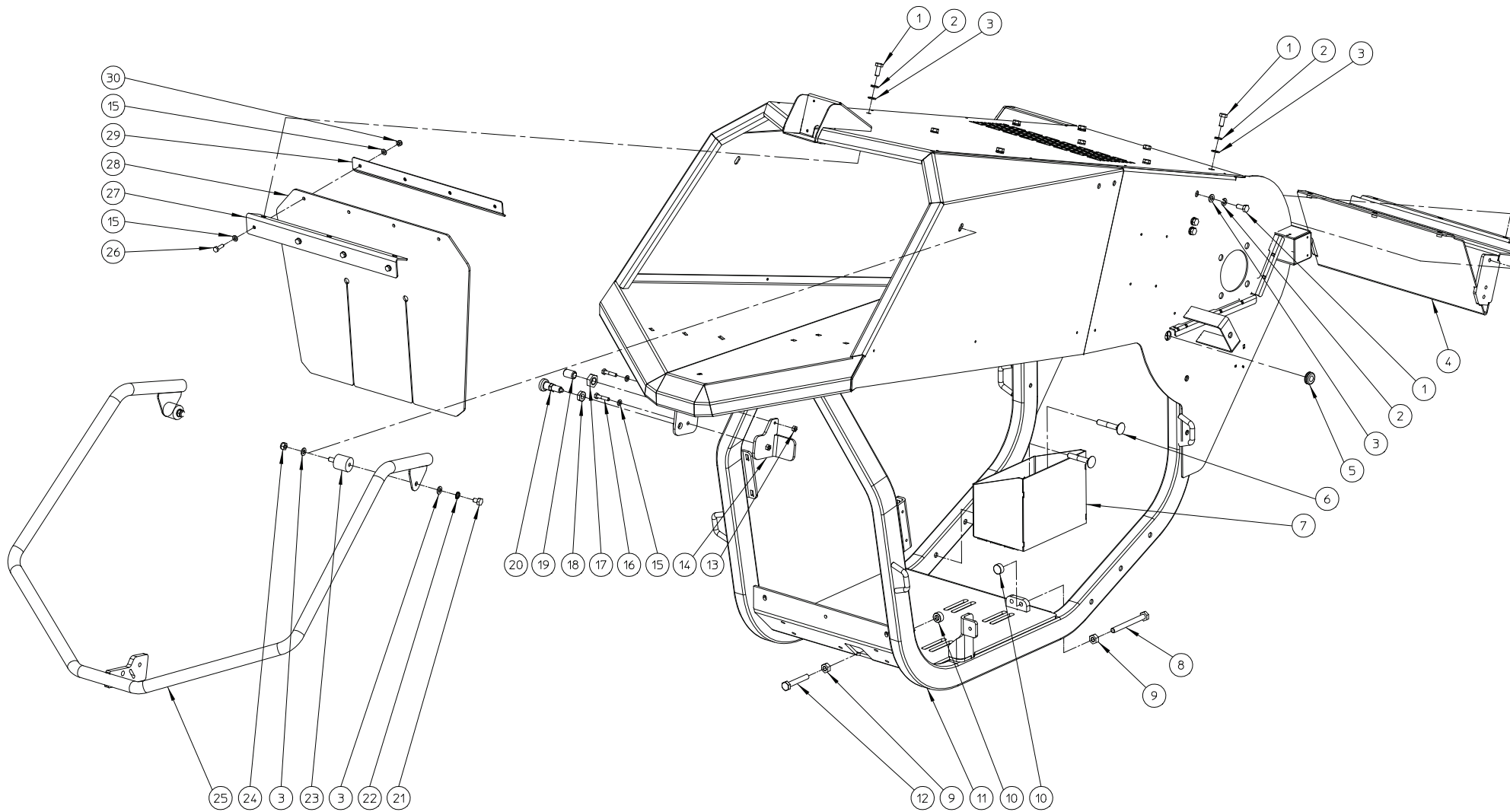
ELIET

BE 700 054 000 SCHEDA MADRE



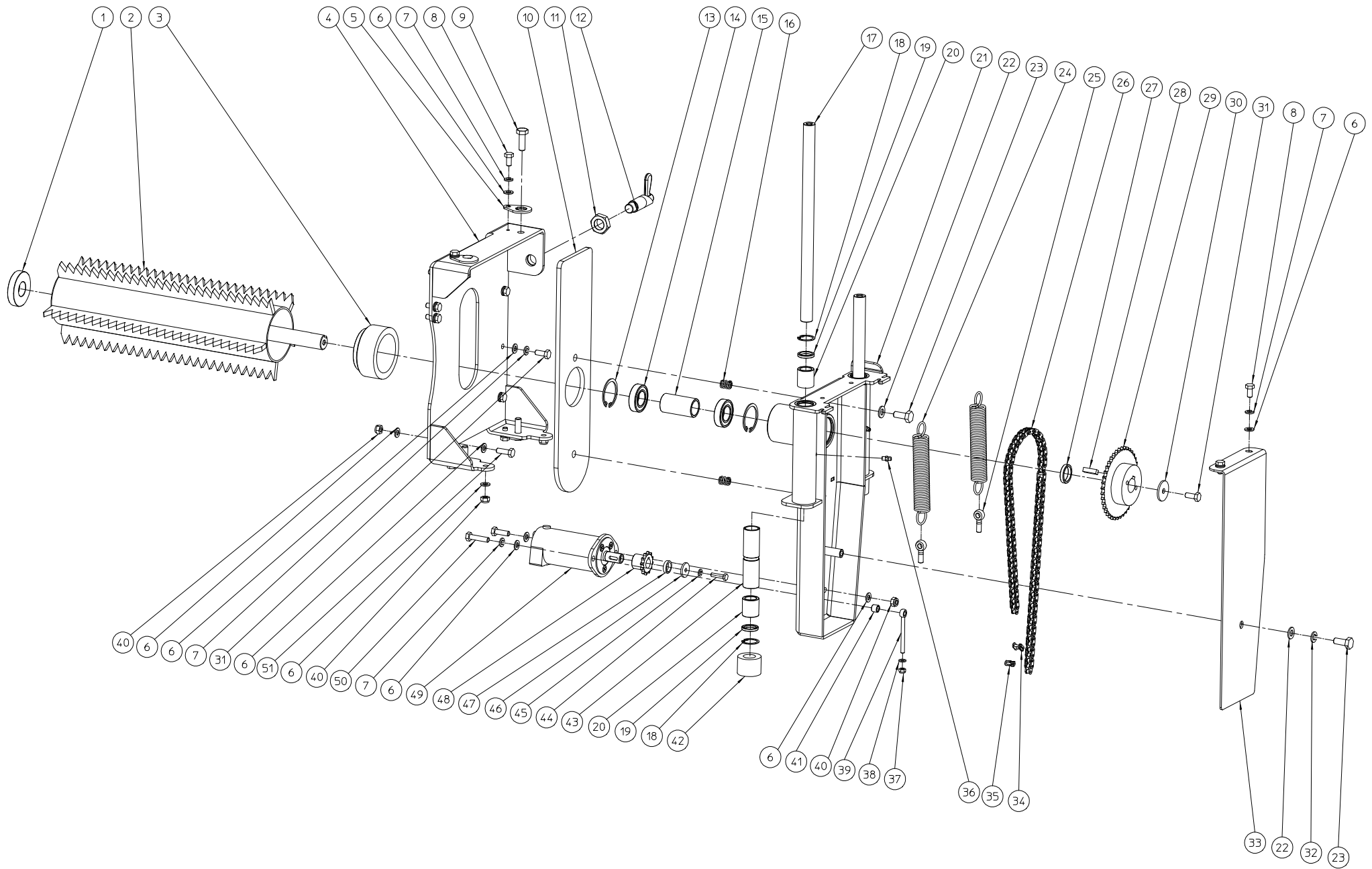
EMERGENCY
BUTTON
BE 122 650 003

BH 410 001 410 ATTUATORE
E CABLAGGIO ELETTROVALVOLA



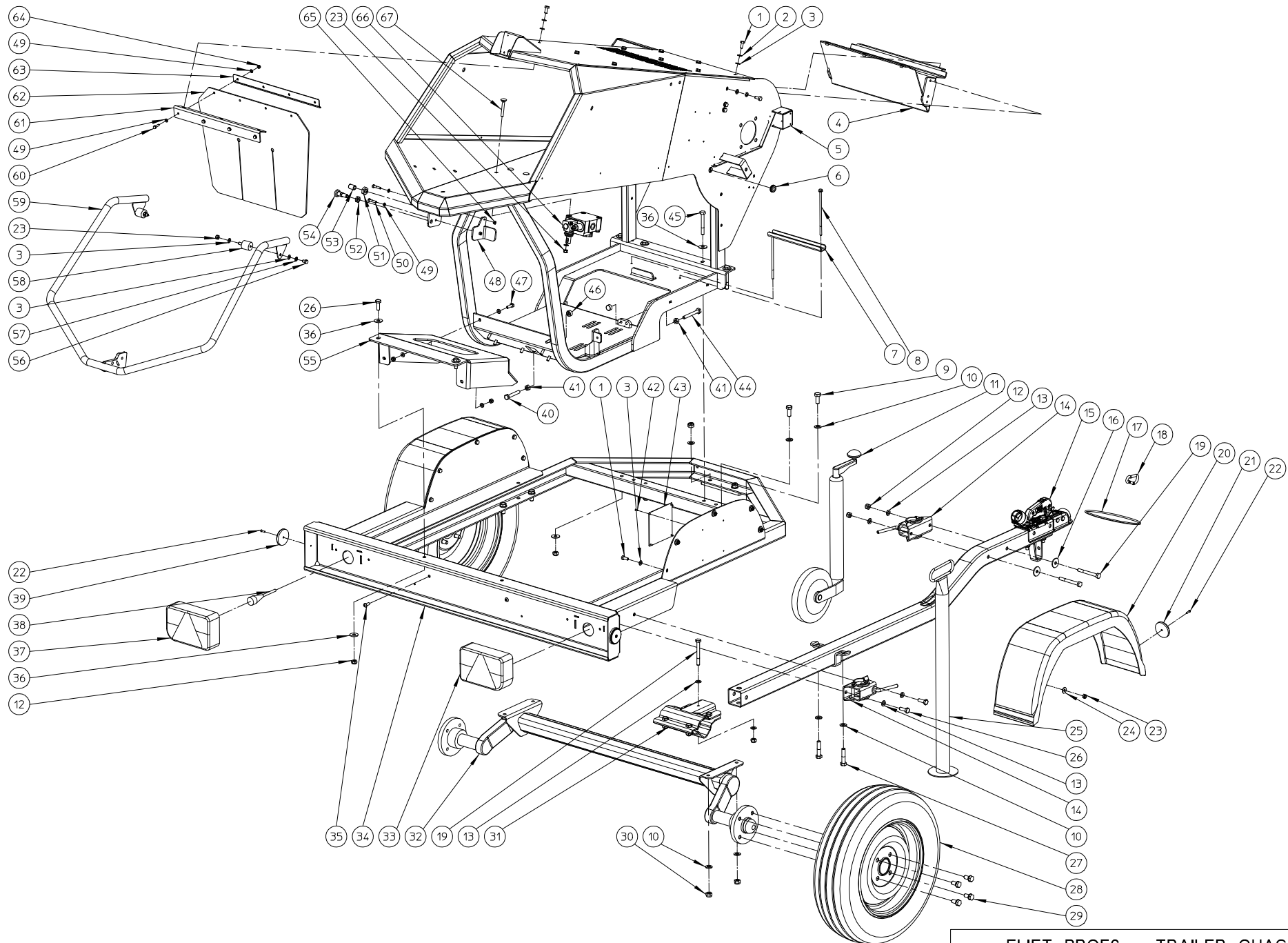
MMA 01 054 440**ASS CHASSIS 18PK PROF6 ZR CC**

N° pos.	Nom	Description	Qté totale
1	BS 512 000 820	DIN 933 VIS M8X20	12
2	BS 533 000 800	DIN 127 RONDELLE GROER M8	12
3	BS 531 000 800	DIN 125 RONDELLE M8	16
4	MPA 01 054 120	ASS V ANTI RETOUR	1
5	BR 000 212 040	HELAVIA PASSE FIL 120/200/40	1
6	BS 554 101 044	DIN 603 VIS A BOIS M10X60	2
7	MPA 01 055 150	ASS SUPPORT BATTERIE 18PK	1
8	BS 512 001 050	DIN 933 VIS M10X100	1
9	BS 501 001 000	DIN 934 ECROU M10	2
10	MPA 01 074 440	BAGUE TENSION MOTEUR	2
11	MPA 01 054 050	ASS CHASSIS PROF6 ZR CC	1
12	BS 512 001 045	DIN 933 VIS M10X65	1
13	BS 501 000 600	DIN 934 ECROU M6	2
14	MPA 01 054 210	PLAQUE GUIDE BARRE SECURITE	1
15	BS 531 000 600	DIN 125 RONDELLE M6	10
16	BS 511 000 630	DIN 931 VIS M6X30	2
17	BS 501 901 600	DIN 439 1/2 ECROU M16	1
18	BS 501 901 202	6 KT MOER M12X1,5 DIN 439B MF	1
19	BS 351 601 624	VIS DE PRESSION A RESSORT AVEC BILLE ET FENTE ACIER M16X24 M	1
20	BN 000 212 550	BLOKEERSTIFT A-M12X1,5	1
21	BS 512 000 812	DIN 933 VIS M8X12	2
22	BS 534 000 800	DIN 6798 RONDELLE ELASTIQUE M8	2
23	BR 600 130 301	GMT 30X30B M8X20 70 SHORE	2
24	BS 502 000 800	DIN 985 ECROU NYLON M8	2
25	MPA 01 054 200	ASS TUBE GUIDON SECURITE	1
26	BS 512 000 620	DIN 933 VIS M6X20	4
27	MPA 01 054 230	EQUERRE FIXATION COUTCHOUK ANTI RETOUR	1
28	BR 902 000 010	BAVETTE ANTI PROJECTION	1
29	MPA 01 054 220	CONTRE LATTE CAOUTCHOUK ANTI RETOUR	1
30	BS 502 000 600	DIN 985 ECROU NYLON M6	4



ELIET PROF6 - IN FEED ROLLER					
NO	MMA 01 054 120	REV	1	DATE	2021/02/11

#	Order nr	article description	quantity
1	BR 910 000 970		1
2	MPA 01 054 060	intake roll	1
3	BR 910 000 980		1
4	MPA 01 054 070	support intake roll	1
5	MPA 01 054 750	fixating plate - bolt intake roll	4
6	BS 531 000 800	washer m8 din 125	20
7	BS 533 000 800	lock washer m8 din 127b	14
8	BS 512 000 816	bolt m8x16 din 933	6
9	BS 512 001 030	bolt m10x30 din 933	4
10	BR 910 001 030		1
11	BS 501 902 000	nut m20x1.50 din 439	1
12	BO 150 003 150	pull-lock with wing handle	1
13	BB 002 000 470	retaining ring 32 din 472	2
14	BL 002 504 703	bearing 6005 zz	2
15	MPA 01 470 430	-----	1
16	BV 911 000 010	spring 14x2x16	2
17	MPA 01 054 090	axle	2
18	BB 002 000 280	retaining ring 28 din 472	4
19	BR 302 120 284	seal 20x28x4	4
20	BL 866 010 010	bronze bush bearing fmtc20	4
21	MPA 01 054 110	support hydr. engine intake roll	1
22	BS 531 001 000	washer m10 din 125	3
23	BS 512 001 025	bolt m10x25 din 933	3
24	BV 919 000 010	spring	2
25	BS 551 000 830	eye bolt m8x30 din 444	2
26	BA 101 085 020	chain simplex 3/8"x7/32" 85l	1
27	MPA 01 470 420	-----	1
28	BB 341 080 725	key 8x7x25 din 6880	1
29	BA 161 040 251	sprocket simplex 3/8"x7/32" 40t	1
30	BS 532 008 356	washer m8x35x3	1
31	BS 512 000 820	bolt m8x20 din 933	8
32	BS 533 001 000	lock washer m10 din 127b	1
33	MPA 01 054 080	cover plate intake roll	1
34	BA 151 200 000	connecting chain link simplex 3/8"x7/32"	1
35	BA 151 400 000	connecting chain link simplex (1/2) 3/8"x7/32"	1
36	BY 100 106 100	grease fitting m6 din 71412	2
37	BS 502 000 600	self locking nut m6 din 985	1
38	BS 531 000 600	washer m6 din 125	1
39	BS 551 100 646	eye bolt m6x70 din 444	1
40	BS 502 000 800	self locking nut m8 din 985	4
41	MPA 01 054 810	spacer	1
42	BR 900 001 810	rubber center piece	2
43	MPA 01 054 100	spacer bar	2
44	BS 512 000 625	bolt m6x25 din 933	1
45	BS 533 000 600	lock washer m6 din 127b	1
46	BS 532 006 276	washer m6x27x3	1
47	MPA 01 054 910	spacer hydr. engine	1
48	BA 161 012 162	sprocket simplex 3/8"x7/32" 12t	1
49	BH 331 205 000	hydraulic engine epmm 50cc	1
50	BS 512 000 835	bolt m8x35 din 933	1
51	BS 512 000 825	bolt m8x25 din 933	2

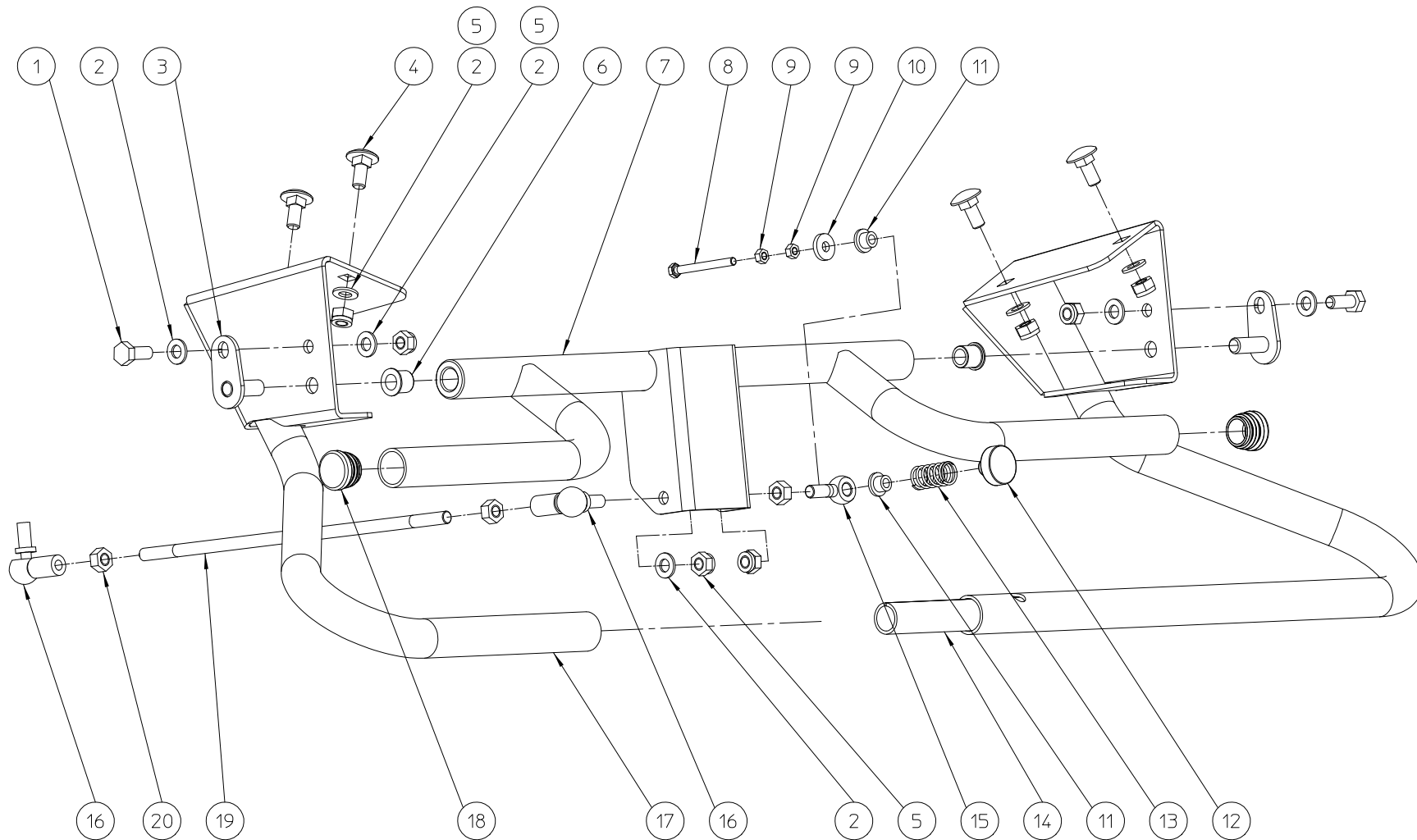


ELIET PROF6 – TRAILER CHASSIS

NO	MMA 01 054 130	REV	1	DATE	2021/02/11
----	----------------	-----	---	------	------------

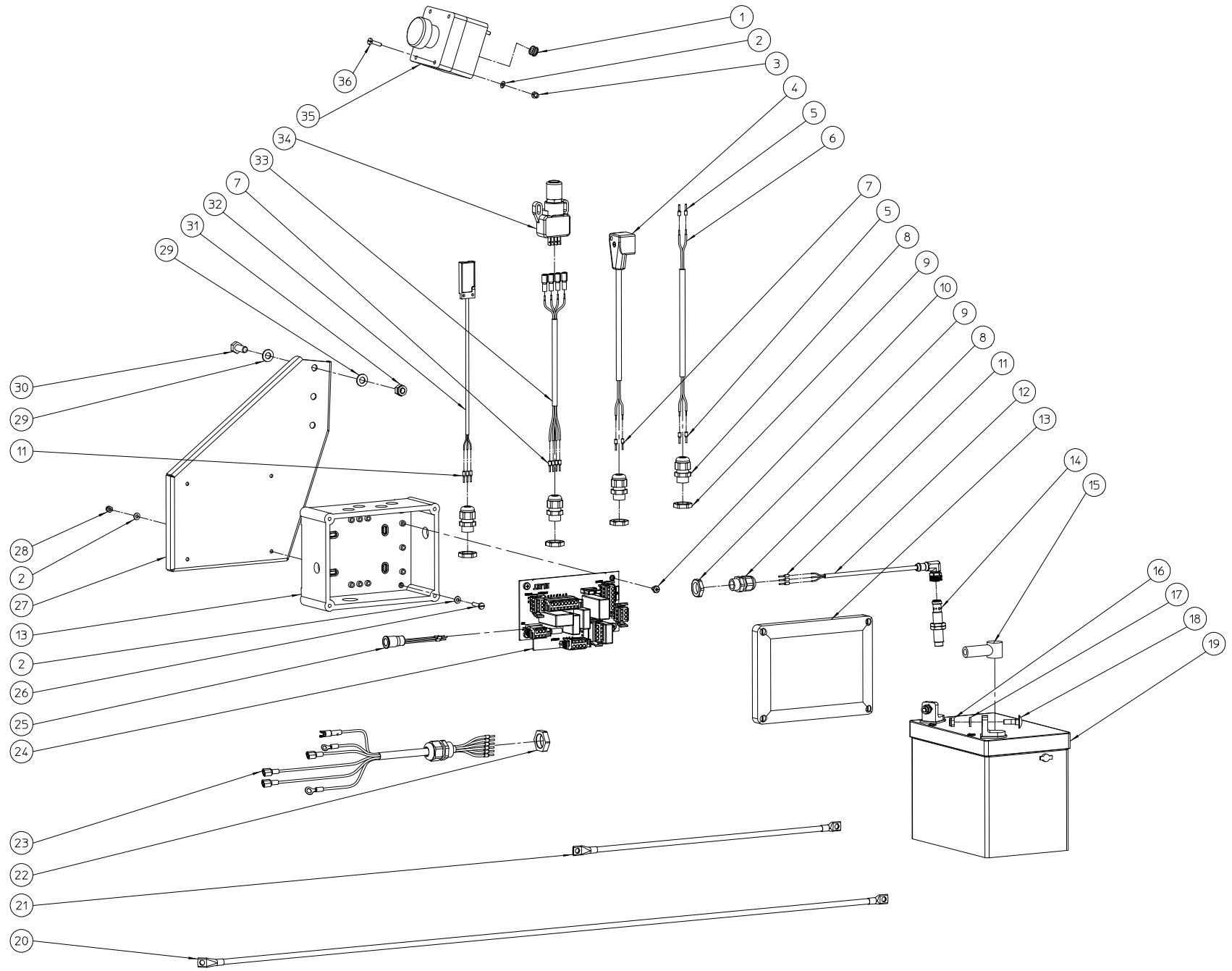
#	Order nr	article description	quantity
1	BS 512 000 820	bolt m8x20 din 933	22
2	BS 533 000 800	lock washer m8 din 127b	12
3	BS 531 000 800	washer m8 din 125	45
4	MPA 01 054 120	anti-return	1
5	MPA 01 054 140	chassis trailer	1
6	BR 000 212 040	grommets 120/200/40	1
7	MPA 01 054 160	fixating plate battery	1
8	BS 511 400 657	hexagon flange bolts m6x170 din 6921	2
9	BS 512 001 230	bolt m12x30 din 933	4
10	BS 531 001 200	washer m12 din 125	12
11	BY 727 000 100	support wheel	1
12	BS 502 001 000	self locking nut m10 din 985	11
13	BS 531 001 000	washer m10 din 125	8
14	BY 728 010 100	clamp support wheel	2
15	BY 709 601 004		1
16	BS 532 010 356	washer m10x35x3	2
17	BY 709 601 200		1
18	BY 522 080 080		1
19	BS 511 001 049	bolt m10x90 din 931	3
20	BY 722 400 400	splash screen plastic 180/631 black	2
21	BY 708 112 010	round reflector white d60	2
22	BB 221 104 160	pop plug alu 3.9x16 din 7337 a	4
23	BS 502 000 800	self locking nut m8 din 985	24
24	BS 532 008 223	washer m8x22x1.5	10
25	BY 709 600 602	support pot 48 x 700mm	1
26	BS 512 001 030	bolt m10x30 din 933	4
27	BS 511 001 243	bolt m12x55 din 931	2
28	BW 054 055 000	kw 155/70r13c sec/4,0jx13/4/60/100et30 3 plies max437 kg	2
29	BS 512 301 220	bolt m12x1.5x20 din 961	8
30	BS 502 001 200	self locking nut m12 din 985	6
31	BY 709 601 100	klemverbinding asdissel	1
32	BY 726 020 080		1
33	BY 707 120 502	backlight right	1
34	MPA 01 074 030	chassis trailer	1
35	BS 522 500 820	screw m8x20 iso 7380	2
36	BS 532 010 305	washer m10x30x2.5	12
37	BY 707 120 501	backlight left	1
38	BY 707 120 503	cable 5m 7 pol	1
39	BY 708 122 010	reflector yellow 60mm screw	2
40	BS 512 001 045	bolt m10x65 din 933	1
41	BS 501 001 000	nut m10 din 934	2
42	BB 221 103 100	pop plug alu 3x10 din 7337 a	4
43	MPA 01 052 680	identification plate	1
44	BS 512 001 048	bolt m10x80 din 933	1
45	BS 511 001 048	bolt m10x80 din 931	4
46	MPA 01 074 440	spacer ring tension engine	2
47	BS 512 000 825	bolt m8x25 din 933	7
48	MPA 01 054 210	countre plate safety bar	1
49	BS 531 000 600	washer m6 din 125	10
50	BS 511 000 630	bolt m6x30 din 931	2
51			0
52	BS 501 901 202	nut m12x1 din 439b	1

53	BS 351 601 624	spring loaded plunjer m16x24	1
54	BN 000 212 550	locking bolts with locking groove	1
55	MPA 01 054 150	connecting plate cable	1
56	BS 512 000 812	bolt m8x12 din 933	2
57	BS 534 000 800	lock washer m8 din 6798a	2
58	BR 600 130 301	antivibration blocks 30x30b m8x16	2
59	MPA 01 054 200	safety bar	1
60	BS 512 000 620	bolt m6x20 din 933	4
61	MPA 01 054 230	front fixation rubber protection	1
62	BR 902 000 010	transparant rubber	1
63	MPA 01 054 220	back fixation rubber protection	1
64	BS 502 000 600	self locking nut m6 din 985	4
65	BS 501 000 600	nut m6 din 934	2
66	BH 400 401 101	hydraulic valve sd5-1	1
67	BS 554 100 844	bolt m8x60 din 603	3



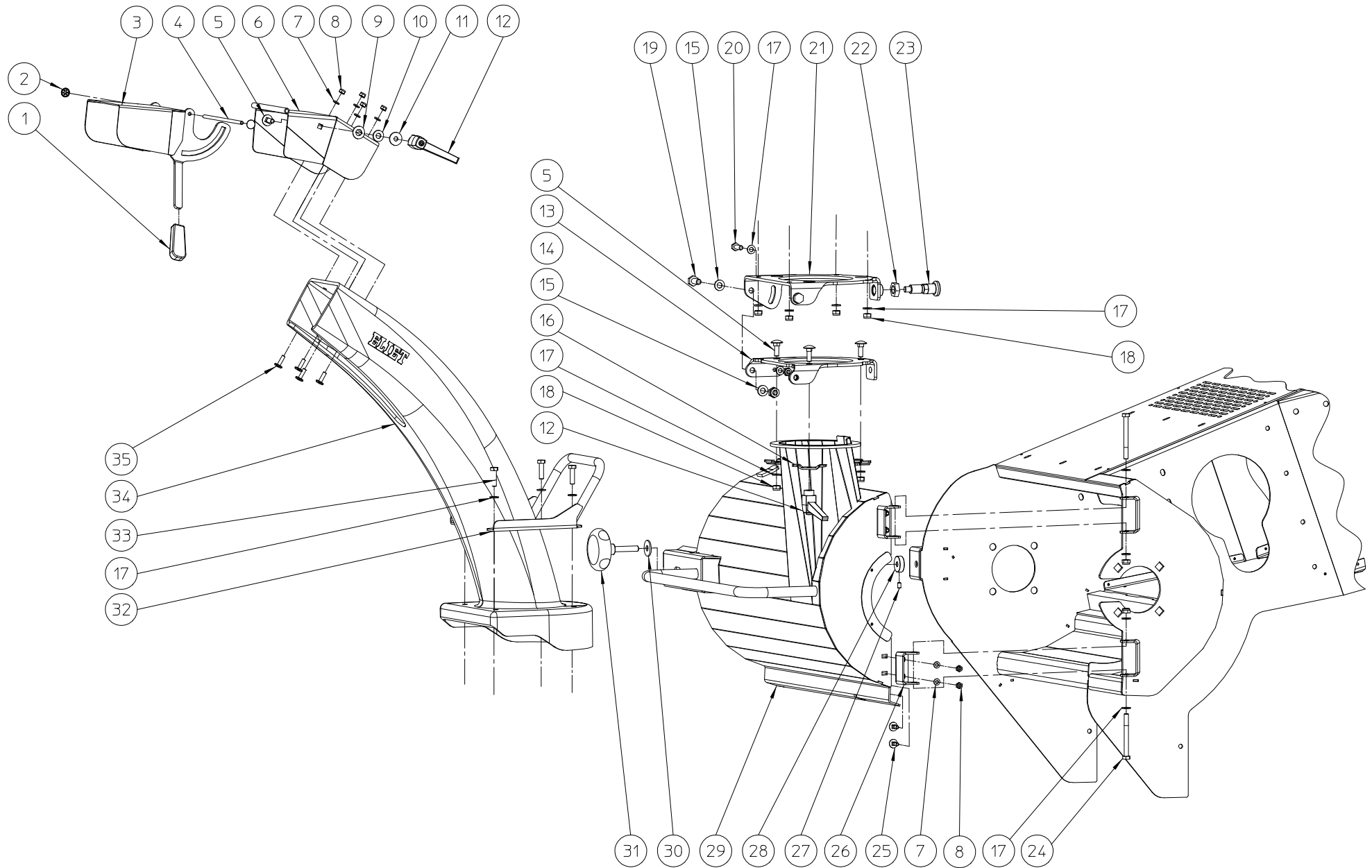
ELIET PROF6 – FEEDER CONTROL					
NO	MMA 01 054 140	REV	1	DATE	2021/02/11

#	Order nr	article description	quantity
1	BS 512 000 820	bolt m8x20 din 933	2
2	BS 531 000 800	washer m8 din 125	9
3	MPA 01 440 600	leaver	2
4	BS 554 100 820	bolt m8x20 din 603	4
5	BS 502 000 800	self locking nut m8 din 985	8
6	BR 112 101 490	nylon bushing with collar (10/14/17.5x14/1)	2
7	MPA 01 054 170	command intake roll	1
8	BS 512 000 542	bolt m5x50 din 933	1
9	BS 501 000 500	nut m5 din 934	2
10	BS 531 200 600	washer m6 din 7349	1
11	BR 112 060 800	nylon bushing with collar (6/10/15x8.5/2)	2
12	BE 120 040 070	magnet maestro	1
13	BV 911 000 050	compression spring 1.5 x 15 x 28	1
14	MPA 01 054 180	traction support bar	1
15	BS 551 000 830	eye bolt m8x30 din 444	1
16	BA 230 010 800	ball joint m8	2
17	MPA 01 054 190	traction support bar	1
18	BR 020 501 250	tube cap Ø 25mm	2
19	MPA 01 054 870	command distribution block	1
20	BS 501 000 800	nut m8 din 934	3



ELIET PROF6 - ELECTRICAL SYSTEM					
NO	MMA 01 054 150	REV	1	DATE	2021/02/18

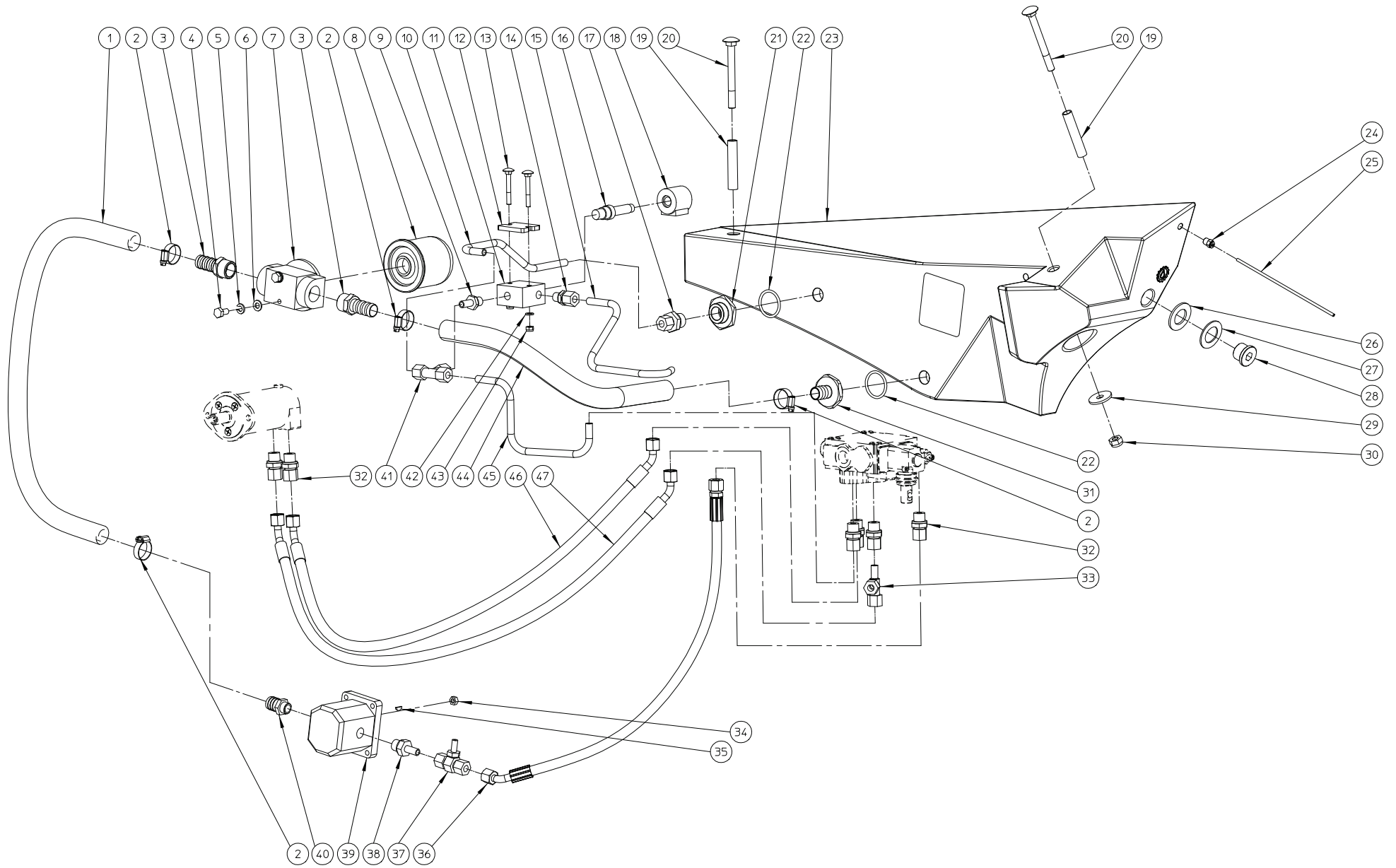
#	Order nr	article description	quantity
1	BR 000 206 203	rubber grommets	1
2	BS 531 000 400	washer m4 din 125	10
3	BS 505 500 400	nut m4 din 1587	2
4	BH 410 001 410	valve plug with cable din43650	1
5	BE 033 002 300	connecting clamp	4
6	BE 094 012 650		1
7	BE 033 002 200	connecting clamp	2
8	BE 071 070 901		5
9	BE 071 080 901		5
10	BS 549 014 209	screw Ø4.2x9 din 7981	4
11	BE 033 002 100	connecting clamp	3
12	BE 099 005 403		1
13	BE 141 511 072	electric box ip55	1
14	BE 400 010 500	sensor	1
15	BR 701 010 150	terminal cover	1
16	BS 502 000 600	self locking nut m6 din 985	2
17	BS 531 000 600	washer m6 din 125	2
18	BS 554 100 620	bolt m6x20 din 603	2
19	BE 240 120 300	battery 12v 30ah	1
20	BE 090 281 031	red wire 16mm ² - 1030mm	1
21	BE 090 180 371	black wire 16mm ² - 370mm	1
22	BE 071 082 000	locknut m20	1
23	BE 099 005 401	connector vanguard engine	1
24	BE 700 054 000	pcb prof 6	1
25	BE 036 000 700	ticolor led indicator	1
26	BS 541 000 420	screw m4x20 din 84	4
27	MPA 01 054 830		1
28	BS 502 000 400	self locking nut m4 din 985	4
29	BS 531 000 800	washer m8 din 125	2
30	BS 512 000 820	bolt m8x20 din 933	1
31	BS 502 000 800	self locking nut m8 din 985	1
32	BE 400 010 600	sensor	1
33	BE 099 005 402		1
34	BE 120 030 020	safety switch	1
35	BE 122 710 001	pressure button red with lock	1
36	BS 541 000 416	screw m4x16 din 84	4



ELIET PROF6 – EJECTION ASSEMBLY

NO	MMA 01 054 160	REV	1	DATE	2021/02/18
----	----------------	-----	---	------	------------

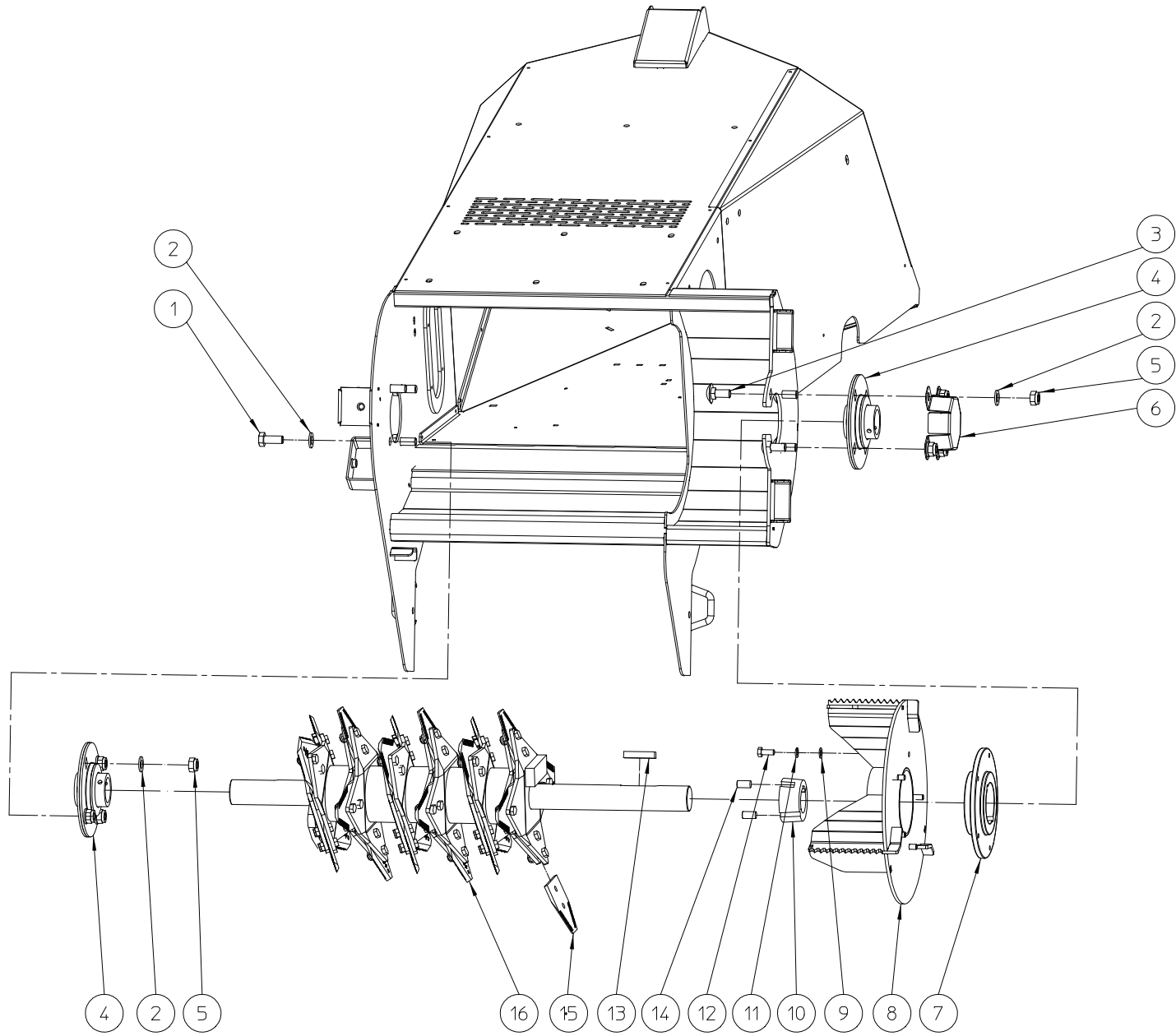
#	Order nr	article description	quantity
1	BN 230 100 202	plastic handgripp 15x5x6 pvc	1
2	BB 011 000 060	starlock 6mm	2
3	MPA 01 054 260	discharge director	1
4	MPA 01 052 670	hinge axle valve through tube	1
5	BS 554 100 825	bolt m8x25 din 603	4
6	MPA 01 054 290	support discharge director	1
7	BS 531 000 600	washer m6 din 125	8
8	BS 502 000 600	self locking nut m6 din 985	8
9	BR 111 120 100	nylon bushing (12.2x24x1.3)	1
10	BR 111 100 200	nylon bushing (10.5/21x2.5)	1
11	BS 532 008 253	washer m8x25x1.5	1
12	BN 530 108 800	clamp levers	2
13	MPA 01 054 280	rotation ring discharge chute	1
14	BS 502 001 000	self locking nut m10 din 985	2
15	BS 531 001 000	washer m10 din 125	4
16	MPA 01 073 520	tube connection	3
17	BS 531 000 800	washer m8 din 125	16
18	BS 502 000 800	self locking nut m8 din 985	9
19	BS 512 001 025	bolt m10x25 din 933	2
20	BS 512 000 825	bolt m8x25 din 933	1
21	MPA 01 054 270	support rotation ring	1
22	BS 501 901 601	nut m16x1.50 din 439	1
23	BN 000 216 580	indexing plunger m16 x 1.5	1
24	BS 511 000 848	bolt m8x80 din 931	2
25	BS 554 100 620	bolt m6x20 din 603	4
26	MPA 01 054 980	hinge back cover	2
27	BS 023 000 610	set screw m6x10 din 916	1
28	MPA 01 054 890	nut back cover	1
29	MPA 01 054 250	back cover	1
30	BS 532 010 305	washer m10x30x2.5	1
31	BN 630 410 420	lob knob	1
32	MPA 01 073 280	handle ejection	1
33	BS 512 000 830	bolt m8x30 din 933	4
34	BR 930 070 010	discharge tunnel	1
35	BS 552 100 620	screw m6x20 type kf	4



MMA 01 054 450

ASS HYDRO PROF6 ZR CC OR 18PK

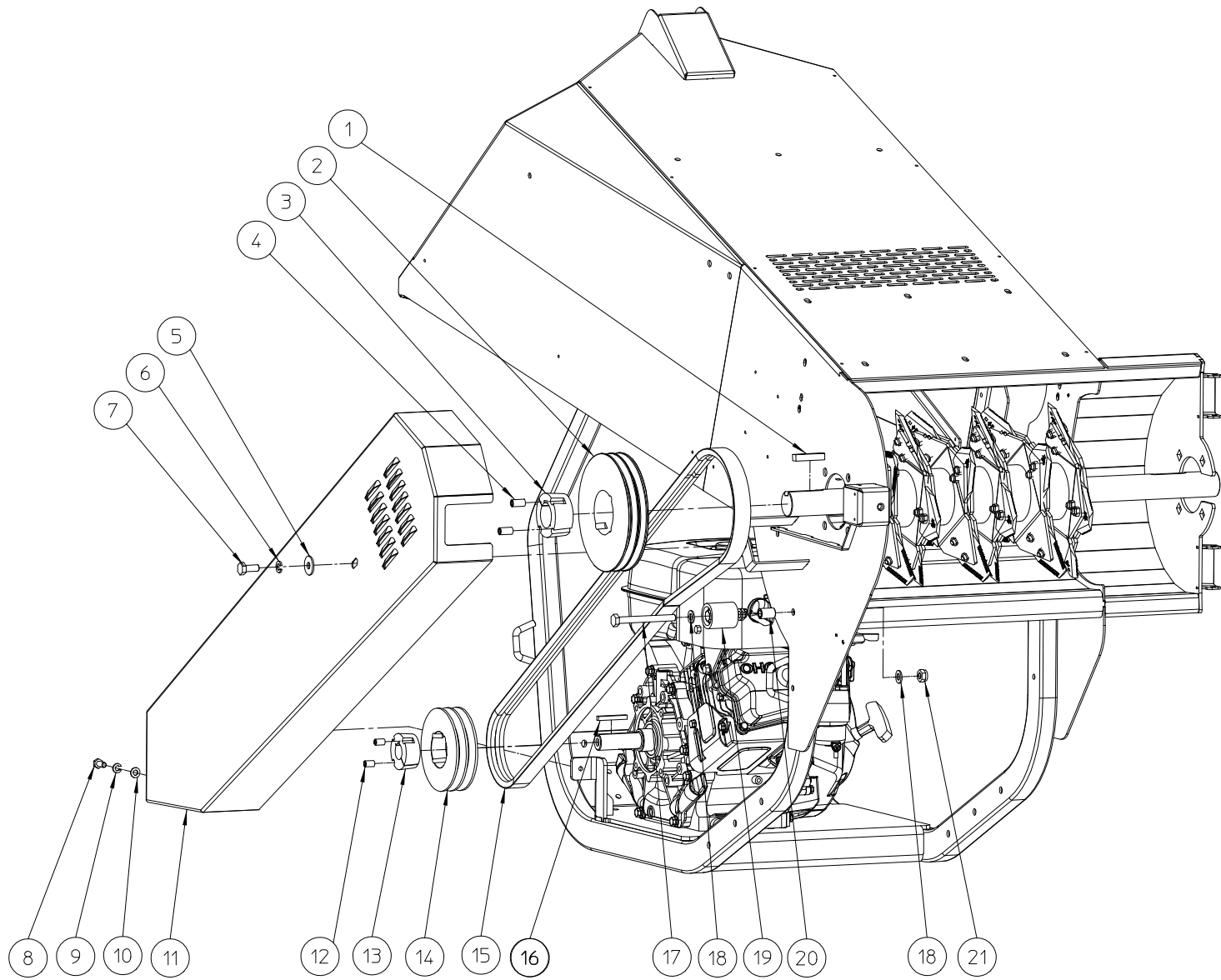
N° pos.	Nom	Description	Qté totale
1	BR 212 019 065	FLEXIBLE HYDRAULIQUE Ø:19MM LG:65CM	1
2	BT 670 117 290	COLLIER 17X29 MM	4
3	BT 136 261 219	EMBOUT Ø 19MM X 3/4"	2
4	BS 512 000 816	DIN 933 VIS M8X16	2
5	BS 533 000 800	DIN 127 RONDELLE GROER M8	2
6	BS 531 000 800	DIN 125 RONDELLE M8	2
7	BH 280 612 120	SUPPORT FILTRE HUILE 3/4 25M ASPIRATION	1
8	BH 280 212 010	CARTOUCHE FILTRE HUILE SPIN ON 3.4 GAS	1
9	BH 512 611 004	RING FITTING TD126GG-10LR1/4" -- I MF - ASS	1
10	MPA 01 054 720	PROF6 TUYAU RETOUR	1
11	BH 410 001 610	BLOC ELECTROVANNE BLOCCHI	1
12	MPA 01 054 540	PROF6 CALE ELECTROVANNE	1
13	BS 554 100 642	DIN 603 VIS A BOIS M6X50	2
14	BH 509 211 004	RING FITTING TD92-10LR1/4" -- I MM - ASS	1
15	MPA 01 054 710	PROF6 TUYAU ELECTRAVANNE	1
16	BH 410 001 620	ELECTROVANNE-TIROIR	1
17	BH 509 211 008	RING FITTING TD92-10LR1/2" -- I MM - ASS	1
18	BH 410 001 630	BOBINE_ELECTROVANNE_12_VDC	1
19	MPA 01 054 530	BUSELURE SUPPORT RESERVOIR	2
20	BS 554 101 050	DIN 603 VIS A BOIS M10X100	2
21	MPA 01 311 360	RACCORD MF1/2"X1/2"	1
22	BH 812 345 350	O-RING 34,52 X 3,53 MM	2
23	BY 717 212 010	RESERVOIR HUILE HYDRO PROF6 10 LITRES	1
24	BH 642 020 040	FESTO INSTEEKKOPPELING QSM-B-1/8-4	1
25	BH 646 020 040	OLIEDARM 4X0,75-BL - 20CM FESTO	1
26	BR 901 204 406	JOINT BOUCHON REMPLISSAGE	1
27	MPA 01 054 970	RONDELLE JOINT BOUCHON REMPLISSAGE	1
28	BH 518 501 200	PLUG MET INWENDIGE ZESKANT TD 185GG-3/4R	1
29	BS 532 010 356	RONDELLE DE CARROSSERIE M10X35X3	2
30	BS 502 001 000	DIN 985 ECROU NYLON M10	2
31	MPA 01 073 890	EMBOUT Ø 20MM - 1/2"	1
32	BH 509 211 006	RING FITTING TD92-10LR3/8" -- I MM - ASS	6
33	BH 512 111 000	RING FITTING TD121-10L -- T MMF - ASS	1
34	BS 501 000 700	DIN 934 ECROU M7	1
35	BB 321 020 512	DIN 6888 CLAVETTE DISQUE 2X5X12.65	1
36	BH 551 040 630	SLANG E704 - EC0410RO16A + EC0410RO16A 45 - TL 630 +2X 1T04	1
37	BH 563 000 100	TE ACC.MANOMÈTRE 10L X M16X2	1
38	BH 512 671 006	RING FITTING TD126GG-10-3/8" -- I MF -BO	1
39	BH 210 103 200	POMPE HYDRAULIQUE GROUPE 1 / 3.2CC LINKS 1P S5	1
40	BT 136 260 620	BT-136.260.820.1.1	1
41	BH 510 011 000	RING FITTING TD100-10L -- T MMM - ASS	1
42	BS 531 000 600	DIN 125 RONDELLE M6	2
43	BS 502 000 600	DIN 985 ECROU NYLON M6	2
44	BR 212 019 038	FLEXIBLE HYDRAULIQUE Ø:19MM LG:38CM	1
45	MPA 01 054 700	PROF6 RETOUR HUILE HYDRO	1
46	BH 551 040 870	Slang E704 - EC0410RO16A 45 + EC0410RO16A 45 - TL 870 - 1 U +2	1
47	BH 551 040 890	Slang E704 - EC0410RO16A 45 + EC0410RO16A 45 - TL 895 - 12 U +2	1



NO	MMA 01 054 430	REV	1	DATE	2024/03/22
----	----------------	-----	---	------	------------

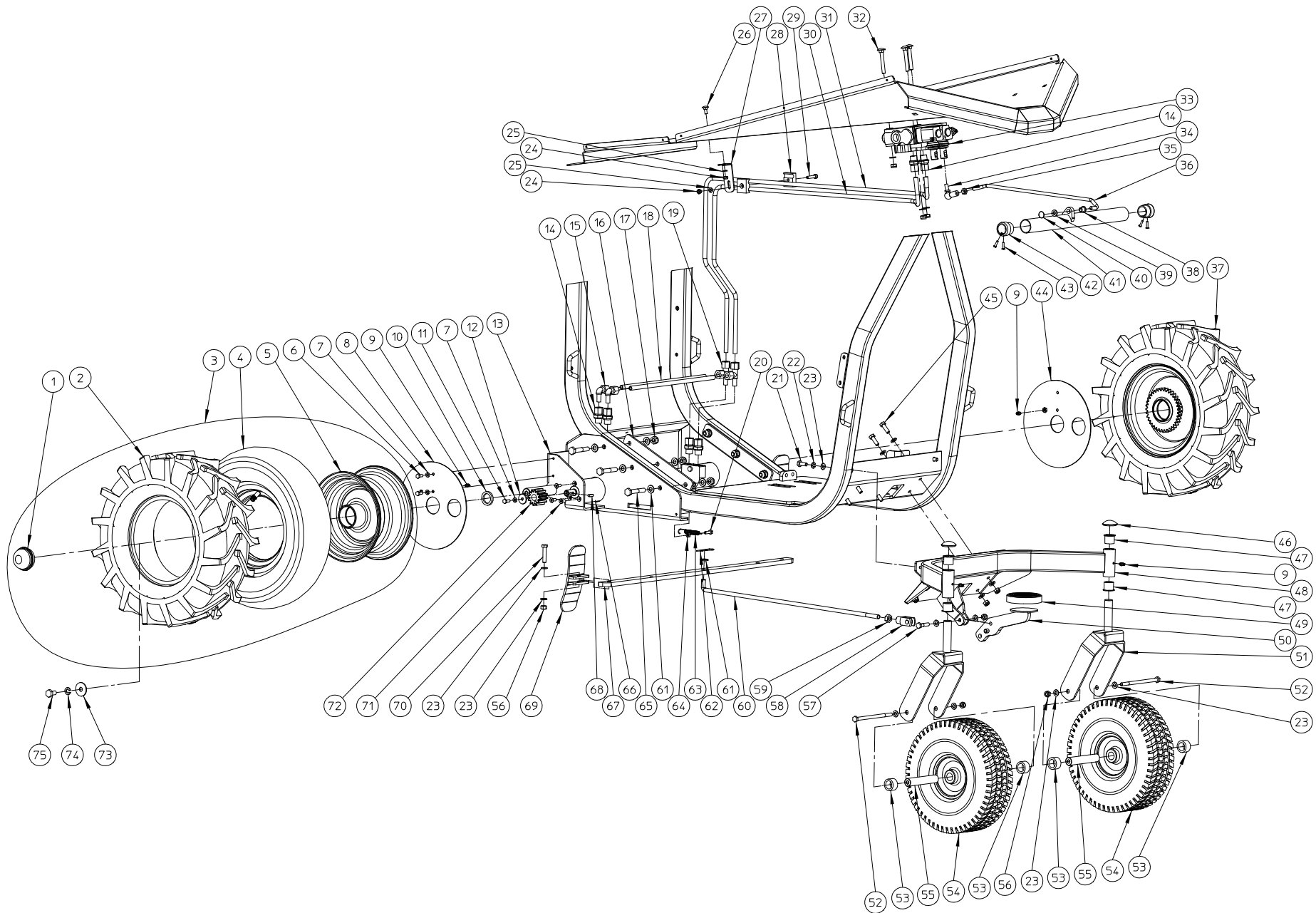
MMA 01 054 430**ROTOR + HELICE - PROF 6 ZR CC OR 18PK**

N° pos.	Nom	Description	Qté totale
1	BS 512 001 230	DIN 933 VIS M12X30	4
2	BS 531 001 200	DIN 125 RONDELLE M12	12
3	BS 554 101 230	DIN 603 VIS A BOIS M12 X 30	4
4	BL 801 604 001	PALIER COMPLET UCPF-208	2
5	BS 502 001 200	DIN 985 ECROU NYLON M12	8
6	MPA 01 054 580	PROTECTION ROULEMENT	1
7	BA 281 753 201	FLANGE HELICE BB450 AVEC 5 TROUS	1
8	MPA 01 470 190	HELICE 3 PALES	1
9	BS 531 000 800	DIN 125 RONDELLE M8	5
10	BB 501 154 000	MOYEU AMOVIBLE TL2012_40	1
11	BS 533 000 800	DIN 127 RONDELLE GROER M8	5
12	BS 512 000 820	DIN 933 VIS M8X20	5
13	BB 341 121 050	DIN 6880 CLAVETTE 12X10X50	1
14	BB 501 311 220	BOULON POUR MOYEU AMOVIBLE-SCR 7/16"X7/8"<-->TL2012	2
15	BU 401 300 202	SET RESIST MESSEN SUPER PROF (24 ST.)	0
16	MPA 01 055 140	ROTOR PROF 6 18 PK	1



ELIET PROF6 – TRANSMISSION					
NO	MMA 01 054 190	REV	1	DATE	2021/02/11

#	Order nr	article description	quantity
1	BB 341 121 050	key 12x10x50 din 6880	1
2	BA 562 718 020	pulley spa ii 180 tl2012	1
3	BB 501 154 000	taper lock tl 2012-40	1
4	BB 501 311 220	set screw 7/16"x7/8"	2
5	BS 532 010 305	washer m10x30x2.5	1
6	BS 533 001 000	lock washer m10 din 127b	1
7	BS 512 001 025	bolt m10x25 din 933	1
8	BS 512 000 820	bolt m8x20 din 933	1
9	BS 533 000 800	lock washer m8 din 127b	1
10	BS 531 000 800	washer m8 din 125	1
11	MPA 01 054 320	protective beltcover	1
12	BB 501 310 160	set screw 3/8"x5/8"	2
13	BB 501 251 600	taper lock	1
14	BA 562 712 532	3 groved pulley	1
15	BA 552 222 400	belt xpa 2240/2	1
16	BB 342 060 650	key 6.35x6.35x50 din 6880	1
17	BS 512 001 050	bolt m10x100 din 933	1
18	BS 531 001 000	washer m10 din 125	2
19	BA 599 006 200	idler roller Ø44	1
20	MPA 01 054 820	spacer	1
21	BS 502 001 000	self locking nut m10 din 985	1

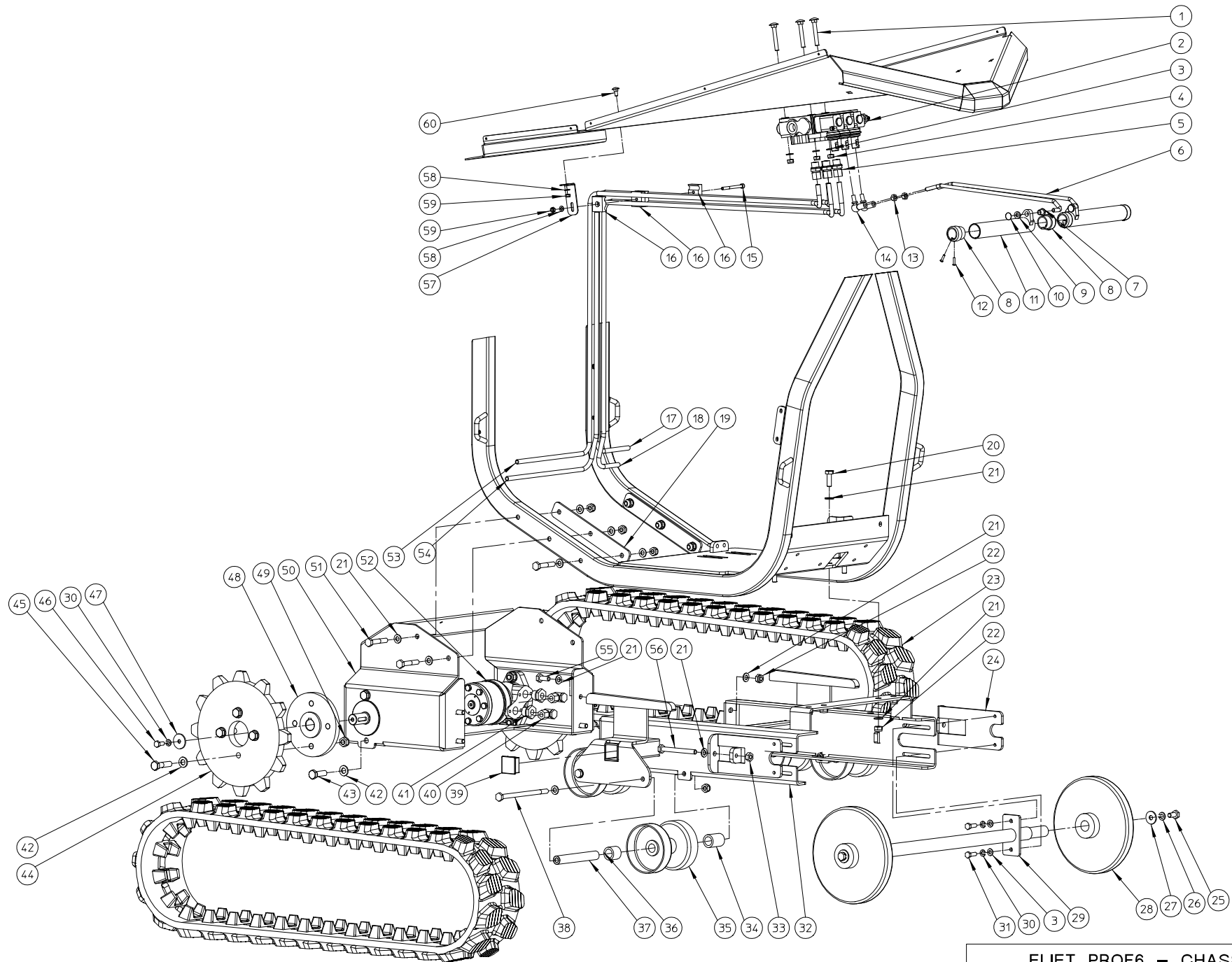


ELIET PROF6 – CHASSIS – ON WHEELS

NO	MMA 01 054 200	REV	1	DATE	2021/02/11
----	----------------	-----	---	------	------------

#	Order nr	article description	quantity
1	BY 728 035 520		0
2	BW 910 430 020		0
3	BW 041 025 021		1
4	BW 910 430 030		0
5	BW 708 025 070		0
6	BS 512 000 614	bolt m6x14 din 933	4
7	BS 533 000 600	lock washer m6 din 127b	6
8	MPA 01 054 340	wheel protection - left	1
9	BY 100 106 100	grease fitting m6 din 71412	4
10	MPA 01 054 570	washer	2
11	BS 512 000 616	bolt m6x16 din 933	2
12	BS 532 006 276	washer m6x27x3	2
13	MPA 01 054 370	support plate tire	1
14	BH 509 211 006	male stud coupling 10lx3/8"	6
15	BH 511 911 000	angular rotary fitting 10l	2
16	MPA 01 054 500	reinforcement plate	2
17	BS 502 001 000	self locking nut m10 din 985	6
18	MPA 01 054 440	hydraulic tubes	2
19	BH 512 111 000	rotary l-fitting female 10l	2
20	BS 512 000 620	bolt m6x20 din 933	2
21	BS 512 000 820	bolt m8x20 din 933	2
22	BS 533 000 800	lock washer m8 din 127b	2
23	BS 531 000 800	washer m8 din 125	25
24	BS 502 000 600	self locking nut m6 din 985	2
25	BS 531 000 600	washer m6 din 125	2
26	BS 554 100 616	bolt m6x16 din 603	1
27	MPA 01 051 325	support fixation	1
28	BH 711 020 110	pipe clamp rbpr-110	1
29	BS 521 100 630	screw m6x30 din 912	1
30	MPA 01 054 430	hydraulic pipe	1
31	MPA 01 054 420	hydraulic pipe	1
32	BS 554 100 844	bolt m8x60 din 603	3
33	BH 400 401 201	hydraulic valve sd5-2	1
34	BA 230 010 800	ball joint m8	1
35	BS 501 000 800	nut m8 din 934	1
36	MPA 01 054 510	control rod distr. block	1
37	BW 041 025 020		1
38	BR 112 081 300	nylon bushing with collar (8/11/16x13/2)	1
39	BR 111 080 300	nylon bushing (8,2/16x3)	1
40	BB 011 000 080	starlock 8mm	1
41	MPA 01 073 430	command tube	1
42	BR 910 000 010	nylon bushing with collar (25/30/34x30/15)	2
43	BB 221 104 160	pop plug alu 3.9x16 din 7337 a	4
44	MPA 01 054 330	wheel protection - right	1
45	BS 512 000 825	bolt m8x25 din 933	5
46	BB 011 000 200	starlock 20mm	2
47	BR 112 202 100	nylon bushing with collar (20/24/29x21/1)	4
48	MPA 01 054 380	support front tires	1
49	BR 900 000 110	rubber socks dia 90x18mm	1
50	MPA 01 054 350	brake	1
51	MPA 01 054 410	fixation part front tires	2
52	BS 511 000 854	bolt m8x140 din 931	2

53	MPA 01 340 380	spacer wheelshaft	4
54	BW 029 020 001	wheel 4.00-4 prof 5	2
55	MPA 01 051 175	wheel shaft caster wheel	2
56	BS 502 000 800	self locking nut m8 din 985	13
57	BS 511 000 835	bolt m8x35 din 931	1
58	BS 556 001 000	fork m10x20 din 71752	1
59	BS 501 001 000	nut m10 din 934	1
60	MPA 01 054 390	brake tube	1
61	BS 531 001 000	washer m10 din 125	13
62	BB 040 102 040	hairpin cotter 2mm din 11024	1
63	BV 912 000 030	spring	2
64	BS 501 000 600	nut m6 din 934	2
65	BS 511 001 044	bolt m10x60 din 931	6
66	BH 331 203 210	hydraulic engine epmm 32cc	2
67	MPA 01 054 400	brake tube	1
68	BB 351 050 516	key 5x5x16 din 6885a	2
69	MPA 01 070 410	belt catcher	2
70	BS 512 000 840	bolt m8x40 din 933	2
71	BS 522 100 616	screw m6x16 din 7991	6
72	BA 603 001 201	gear m3 12t	2
73	BS 532 010 355	washer m10x35x2.5	2
74	BS 533 001 000	lock washer m10 din 127b	2
75	BS 512 001 020	bolt m10x20 din 933	2

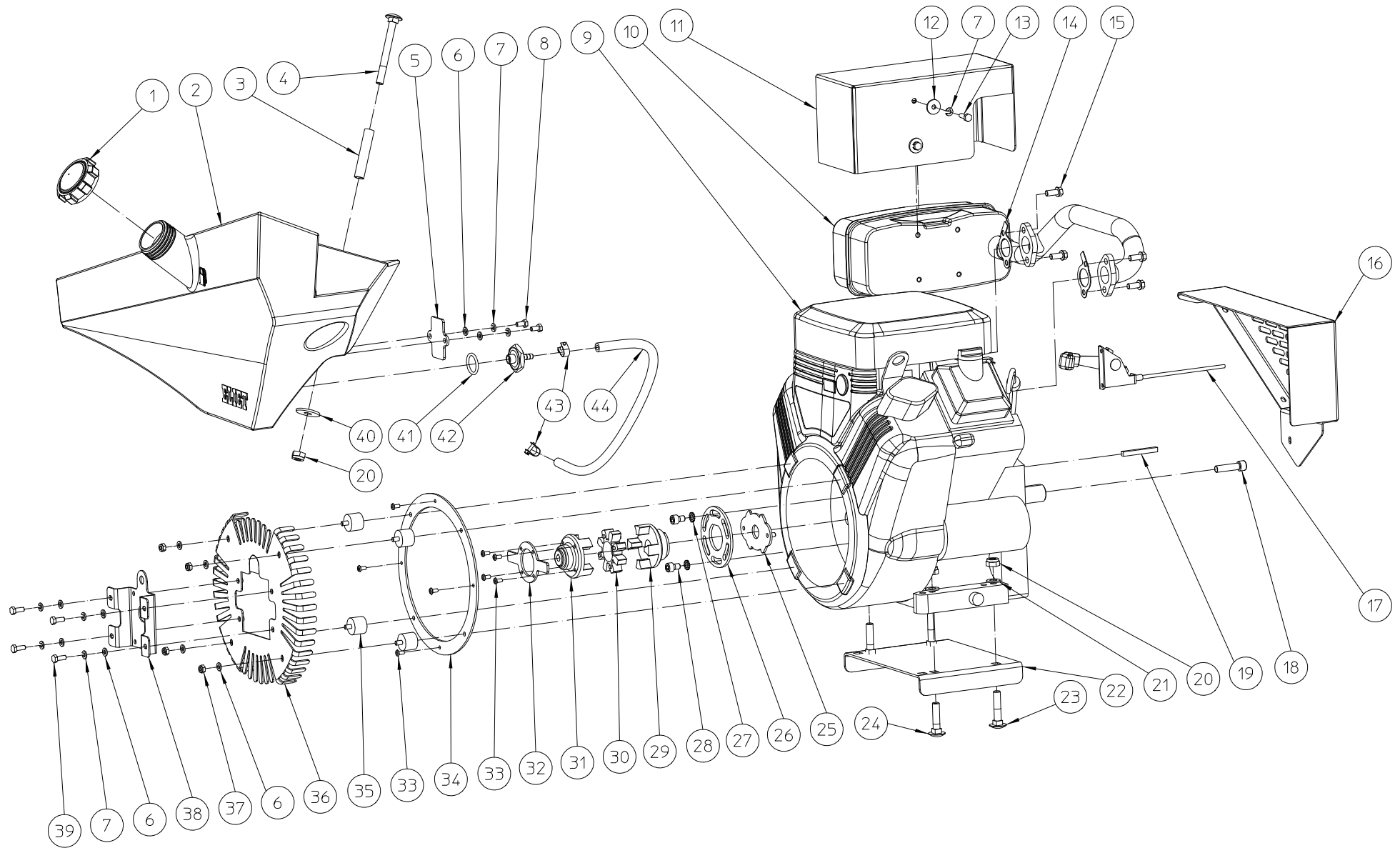


ELIET PROF6 - CHASSIS - CC

NO	MMA 01 054 210	REV	1	DATE	2021/02/11
----	----------------	-----	---	------	------------

#	Order nr	article description	quantity
1	BS 554 100 844	bolt m8x60 din 603	3
2	BH 400 401 301	hydraulic valve sd5-3	1
3	BS 531 000 800	washer m8 din 125	7
4	BS 502 000 800	self locking nut m8 din 985	3
5	BH 509 211 006	male stud coupling 10lx3/8"	4
6	MPA 01 054 510	control rod distr. block	2
7	BR 112 081 300	nylon bushing with collar (8/11/16x13/2)	2
8	BR 910 000 010	nylon bushing with collar (25/30/34x30/15)	4
9	BR 111 080 300	nylon bushing (8,2/16x3)	2
10	BB 011 000 080	starlock 8mm	2
11	MPA 01 073 440	control pipe cross country	2
12	BB 221 104 160	pop plug alu 3.9x16 din 7337 a	8
13	BS 501 000 800	nut m8 din 934	2
14	BA 230 010 800	ball joint m8	2
15	BS 521 100 646	screw m6x70 din 912	1
16	BH 711 020 100	pipe clamp b-10mm	2
17	MPA 01 054 660	hydraulic tube	1
18	MPA 01 054 670	hydraulic tube	1
19	MPA 01 054 500	reinforcement plate	2
20	BS 512 001 030	bolt m10x30 din 933	4
21	BS 531 001 000	washer m10 din 125	34
22	BS 502 001 000	self locking nut m10 din 985	18
23	BW 815 072 340		2
24	MPA 01 054 470	support tightner rubber track	2
25	BS 512 001 020	bolt m10x20 din 933	2
26	BS 533 001 000	lock washer m10 din 127b	2
27	BS 532 010 305	washer m10x30x2.5	2
28	BW 622 725 002		2
29	MPA 01 054 450	support wheels	1
30	BS 533 000 800	lock washer m8 din 127b	6
31	BS 512 000 825	bolt m8x25 din 933	4
32	MPA 01 054 490	support	1
33	BS 501 001 000	nut m10 din 934	2
34	MPA 01 054 640	inside spacer	4
35	BW 611 520 002		4
36	MPA 01 054 630	outside spacer	4
37	MPA 01 054 620	diabolo tube	4
38	BS 511 001 057	bolt m10x170 din 931	4
39	BR 021 140 400	cap 40x40	2
40	BH 513 111 004	banjo 10lx1/4"	4
41	BH 514 100 804	reduction stud (m-f) 1/2"-1/4"	4
42	BS 531 001 200	washer m12 din 125	16
43	BS 512 001 240	bolt m12x40 din 933	4
44	MPA 01 054 460	sprocket	2
45	BS 511 001 242	bolt m12x50 din 931	8
46	BS 512 000 820	bolt m8x20 din 933	2
47	BS 532 008 356	washer m8x35x3	2
48	BA 281 504 502	hub rear wheel Ø12,5mm	2
49	BS 502 001 200	self locking nut m12 din 985	12
50	MPA 01 054 480	support hydr. engine	1
51	BS 511 001 044	bolt m10x60 din 931	6
52	BH 331 525 000	hydraulic engine mr n 250 cd	2

53	MPA 01 054 680	hydraulic tube	1
54	MPA 01 054 690	hydraulic tube	1
55	BS 512 001 025	bolt m10x25 din 933	4
56	BS 512 001 050	bolt m10x100 din 933	2
57	MPA 01 051 325	support fixation	1
58	BS 531 000 600	washer m6 din 125	2
59	BS 502 000 600	self locking nut m6 din 985	2
60	BS 554 100 616	bolt m6x16 din 603	1

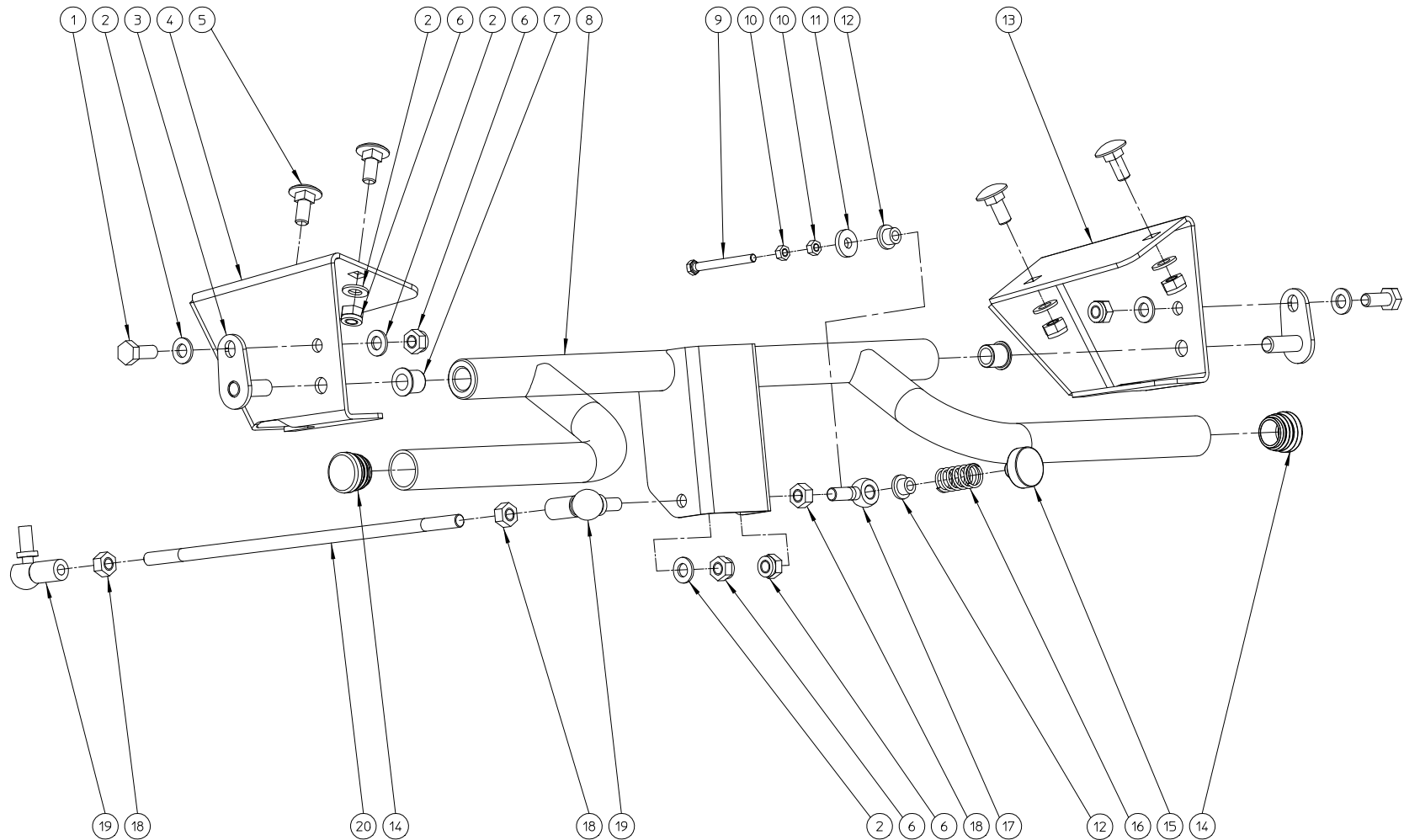


NO	MMA 01 054 420	REV	1	DATE	2024/04/16
----	----------------	-----	---	------	------------

MMA 01 054 420

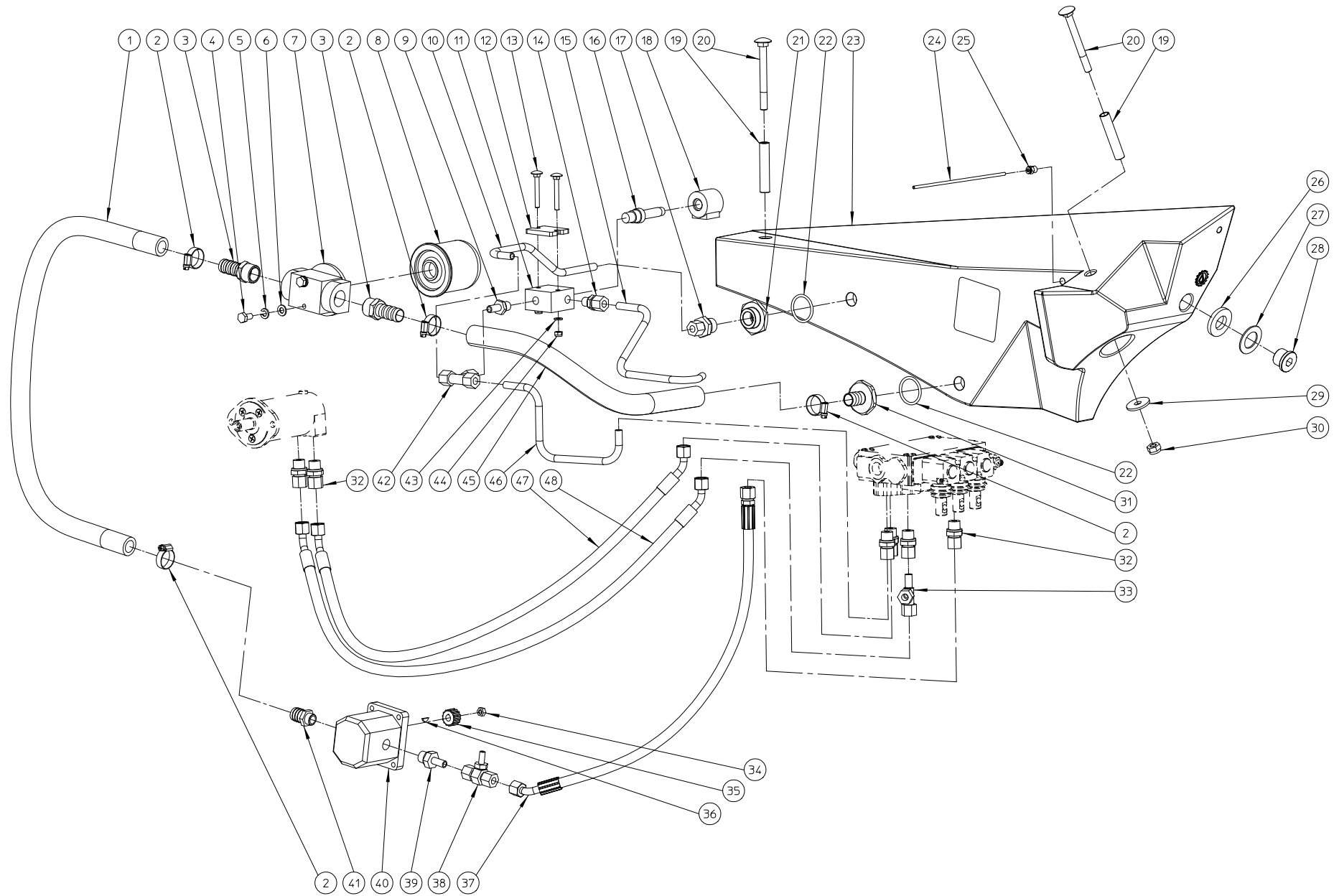
ASS MOTEUR POMPE PROF6 18PK

N° pos.	Nom	Description	Qté totale
1	BH 720 505 585	BOUCHON DE RESERVOIR 2 1/4"	1
2	BY 717 212 011	RESERVOIR ESSENCE PROF6 11 LITRES	1
3	MPA 01 054 530	BUSELURE SUPPORT RESERVOIR	2
4	BS 554 101 050	DIN 603 VIS A BOIS M10X100	2
5	BR 910 001 040	PLAQUE SUPPORT CONTACT NIVEAU	1
6	BS 531 000 600	DIN 125 RONDELLE M6	10
7	BS 533 000 600	DIN 127 RONDELLE GROER M6	8
8	BS 512 000 612	DIN 933 VIS M6X12	2
9	BM 201 318 001	MOTEUR 18HP VANGUARD	1
10	BM 260 995 002	KIT ECHAPPEMENT LATERAL VANGUARD 16-18PK	1
11	MPA 01 055 160	PROTECTION-ECHAPPEMENT 18PH	1
12	BS 532 006 224	RONDELLE DE CARROSSERIE M6X22X2 DIN 440	2
13	BS 512 000 620	DIN 933 VIS M6X20	2
14	BM 260 691 613	JOINT-ECHAPPEMENT-BRIGGS-22PK	2
15	BM 260 691 902	VIS-FIXATION-ECHAPPEMENT-BRIGGS-22PK	4
16	MPA 01 055 190	PROTECTION COLLECTEUR ECHAPPEMENT	1
17	BK 164 310 900	MANETTE DE GAZ SACCON TYPE L LGS 1050 CABLE 900MM	1
18	BS 521 441 040	BINNENZESKANTSCHROEF CYL.KOP 3/8X1.1/2" 12,9 VERZINKT WIT G	1
19	BB 342 060 657	DIN 6880 CLAVETTE 6.35X6.35X57	1
20	BS 502 001 000	DIN 985 ECROU NYLON M10	6
21	BS 531 001 000	DIN 125 RONDELLE M10	4
22	MPA 01 055 290	RENFORT PLAQUE MOTEUR	1
23	BS 554 101 042	DIN 603 VIS A BOIS M10X50	2
24	BS 554 101 041	DIN 603 VIS A BOIS M10X45	2
25	MPA 01 070 690	CENTRAGE ACCOUPLEMENT	1
26	MPA 01 070 680	BRIDE ACCOUPLEMENT	1
27	BS 534 000 800	DIN 6798 RONDELLE ELASTIQUE M8	2
28	BS 521 100 812	DIN 912 VIS UMBRACO M8X12	2
29	BA 201 232 000	ACCOUPLEMENT ÉLAST. COTÉ MOTEUR	1
30	BA 201 240 000	ACCOUPLEMENT ÉLAST. FLECTOR GR 2	1
31	BA 201 220 101	ACCOUPLEMENT ÉLAST. COTÉ POMPE S-P	1
32	MPA 01 073 720	REPERE DE ROTATION	1
33	BB 221 005 100	DIN 7337 RIVET ACIER 4.8X10	8
34	MPA 01 070 670	FLASQUE	1
35	BR 600 225 201	GMT 25X20B M6X10 70 SHORE	4
36	MPA 01 073 390	SUPPORT SUPPORT POMPE	1
37	BS 502 000 600	DIN 985 ECROU NYLON M6	4
38	MPA 01 073 820	SUPPORT POMPE SENSOR	1
39	BS 512 000 616	DIN 933 VIS M6X16	4
40	BS 532 010 356	RONDELLE DE CARROSSERIE M10X35X3	2
41	BH 812 249 350	O-RING Ø 24,99 X 3,53 MM VITON	1
42	MPA 01 311 210	EMBOUT 8MM - 1/4"	1
43	BT 670 111 130	SLANGENKLEM MINI ABA Ø13 ZI	2
44	BR 202 007 045	TUYAU CARBURANT Ø 7.5MM LG 450MM	1



ELIET PROF6 – FEEDER CONTROL – OR					
NO	MMA 01 054 260	REV	1	DATE	2021/02/11

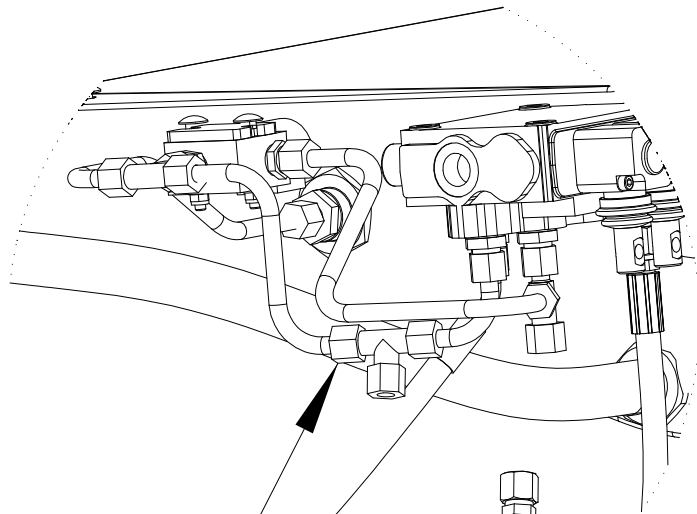
#	Order nr	article description	quantity
1	BS 512 000 820	bolt m8x20 din 933	2
2	BS 531 000 800	washer m8 din 125	9
3	MPA 01 440 600	leaver	2
4	MPA 01 054 960	support traction left side	1
5	BS 554 100 820	bolt m8x20 din 603	4
6	BS 502 000 800	self locking nut m8 din 985	8
7	BR 112 101 490	nylon bushing with collar (10/14/17.5x14/1)	2
8	MPA 01 054 170	command intake roll	1
9	BS 512 000 542	bolt m5x50 din 933	1
10	BS 501 000 500	nut m5 din 934	2
11	BS 531 200 600	washer m6 din 7349	1
12	BR 112 060 800	nylon bushing with collar (6/10/15x8.5/2)	2
13	MPA 01 054 950	support traction right side	1
14	BR 020 501 250	tube cap Ø 25mm	2
15	BE 120 040 070	magnet maestro	1
16	BV 911 000 050	compression spring 1.5 x 15 x 28	1
17	BS 551 000 830	eye bolt m8x30 din 444	1
18	BS 501 000 800	nut m8 din 934	3
19	BA 230 010 800	ball joint m8	2
20	MPA 01 054 870	command distribution block	1



ELIET PROF6 - HYDRAULICS - OR

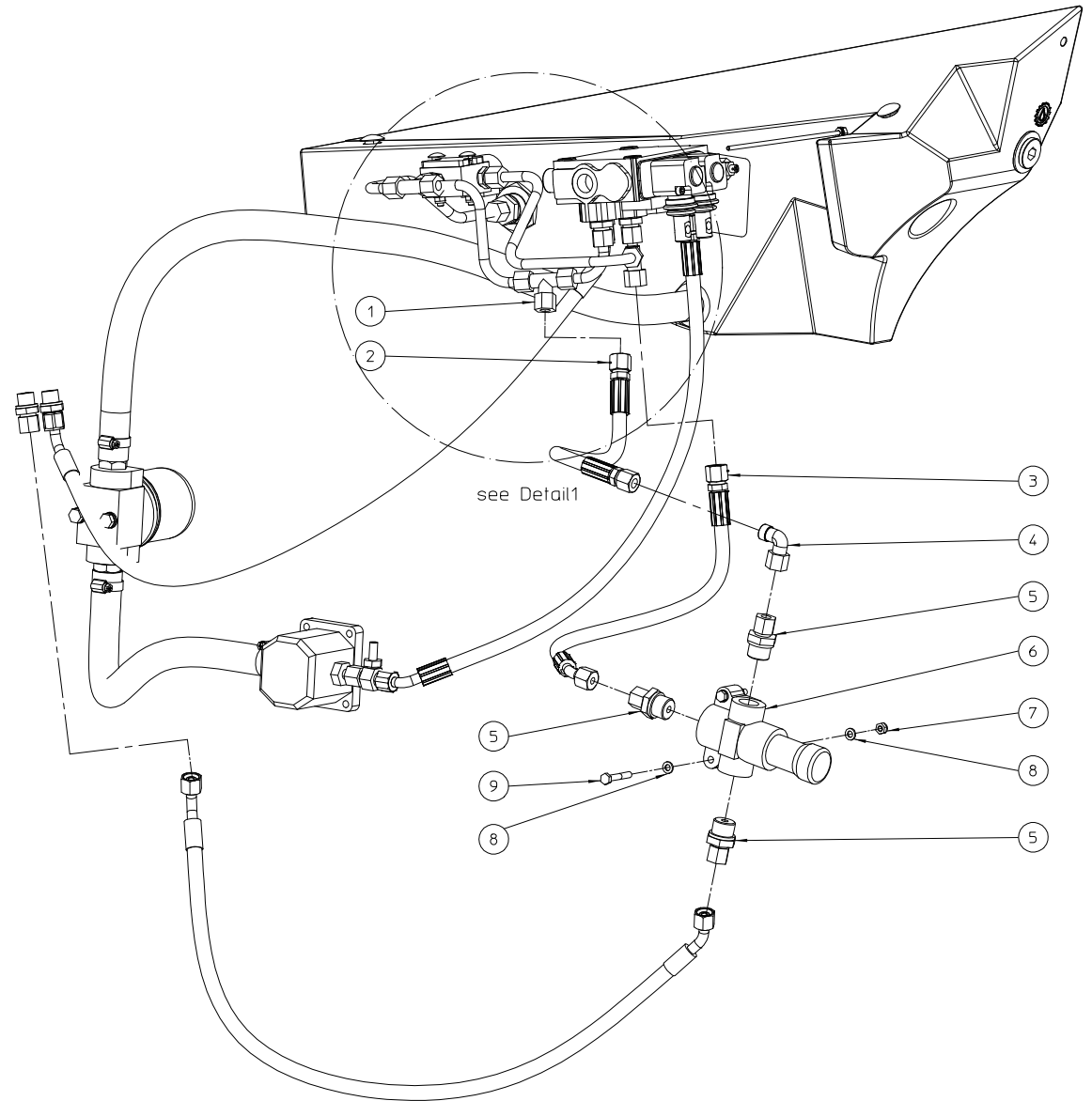
NO	MMA 01 054 270	REV	1	DATE	2021/02/18
----	----------------	-----	---	------	------------

#	Order nr	article description	quantity
1	BR 212 019 085		1
2	BT 670 117 290	hose clamp 17x29mm	4
3	BT 136 261 219	adaptor Ø 19mm - 3/4"	2
4	BS 512 000 816	bolt m8x16 din 933	2
5	BS 533 000 800	lock washer m8 din 127b	2
6	BS 531 000 800	washer m8 din 125	2
7	BH 280 612 120	support hydraulic filter 3/4"	1
8	BH 280 212 010	filter element 3/4"	1
9	BH 512 611 004	standpipe adaptor 10lx1/4"	1
10	MPA 01 054 720	return tube	1
11	BH 410 001 610		1
12	MPA 01 054 540	support electrovanne	1
13	BS 554 100 642	bolt m6x50 din 603	2
14	BH 509 211 004	male stud coupling 10lx1/4"	1
15	MPA 01 054 710	electrovanne tube	1
16	BH 410 001 620	valve bolt	1
17	BH 509 211 008	male stud coupling 10lx1/2"	1
18	BH 410 001 630	valve bolt	1
19	MPA 01 054 530	tube support tank	2
20	BS 554 101 050	bolt m10x100 din 603	2
21	MPA 01 311 360	connector mf1/2"x1/2"	1
22	BH 812 345 350	o-ring 34,52 x 3,53 mm viton	2
23	BY 717 212 010		1
24	BH 646 020 040	hose blue 20cm	1
25	BH 642 020 040	plug-in coupling 1/8 "diam 4 mm	1
26	BR 901 204 406		1
27	MPA 01 054 970	washer	1
28	BH 518 501 200	plug allen 3/4 r	1
29	BS 532 010 356	washer m10x35x3	2
30	BS 502 001 000	self locking nut m10 din 985	2
31	MPA 01 073 890	adaptor Ø 20mm - 1/2"	1
32	BH 509 211 006	male stud coupling 10lx3/8"	6
33	BH 512 111 000	rotary l-fitting female 10l	1
34	BS 501 000 700	nut m7 din 934	1
35	BH 281 201 011	gear wheel z14 25x22 din5482 gr 2/1	1
36	BB 321 020 512	key 2x5x12.65 din 6888	1
37	BH 551 040 630	flexible hydraulic hose 1/4"x630	1
38	BH 563 000 100	manometer coupler 10lxm16x2	1
39	BH 512 671 006	standpipe adaptor 10sr3/8"	1
40	BH 210 103 200	hydraulic pump 3.2cc	1
41	BT 136 260 620		1
42	BH 510 011 000	equal tee 10l	1
43	BS 531 000 600	washer m6 din 125	2
44	BS 502 000 600	self locking nut m6 din 985	2
45	BR 212 019 038		1
46	MPA 01 054 700	return hydr. oil	1
47	BH 551 040 870	flexible hydraulic hose 1/4"x870	1
48	BH 551 040 890	flexible hydraulic hose 1/4"x895	1



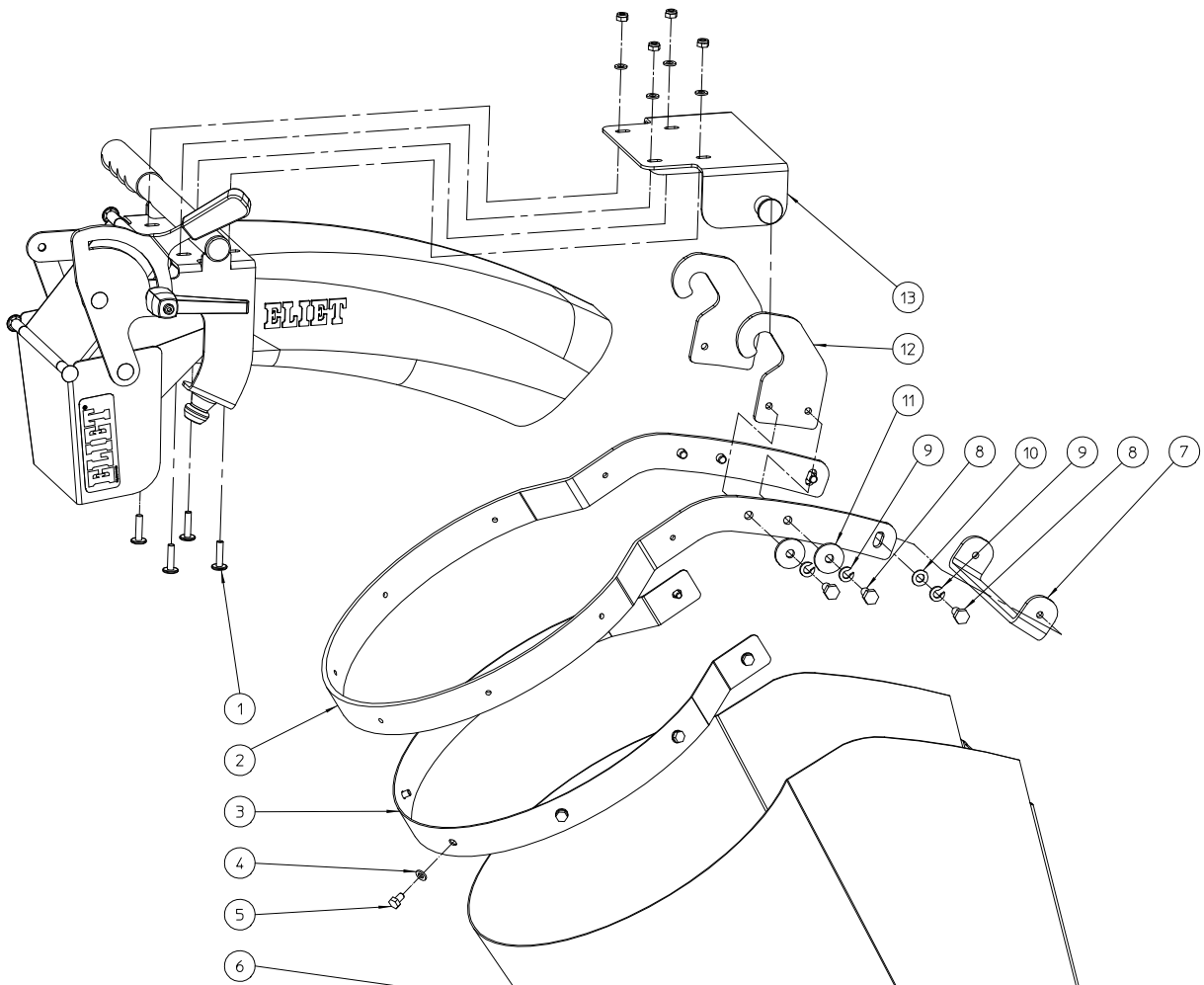
Detail1
SCALE 1:3

Couper 30mm dans le tuyau de retour au tank
Ajouter le raccord hydraulique en T

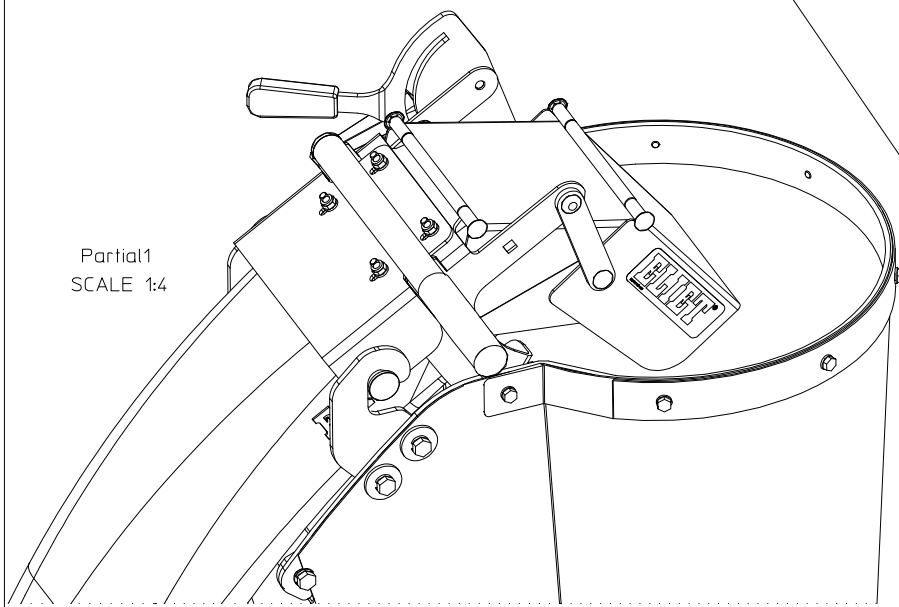


ELIET PROF6 - FEED-IN SPEED VALVE					
NO	MMA 01 054 280	REV	1	DATE	2021/02/18

#	Order nr	article description	quantity
1	BH 510 011 000	equal tee 10l	1
2	BH 551 040 300	flexible hydraulic hose 1/4"x300	1
3	BH 551 040 480	flexible hydraulic hose 1/4"x480	1
4	BH 511 951 000	angular rotary fitting	1
5	BH 509 221 022	male stud coupling 10lxm22	3
6	BH 430 012 200	speed controller mtkavar	1
7	BS 502 000 600	self locking nut m6 din 985	2
8	BS 531 000 600	washer m6 din 125	4
9	BS 511 000 640	bolt m6x40 din 931	2

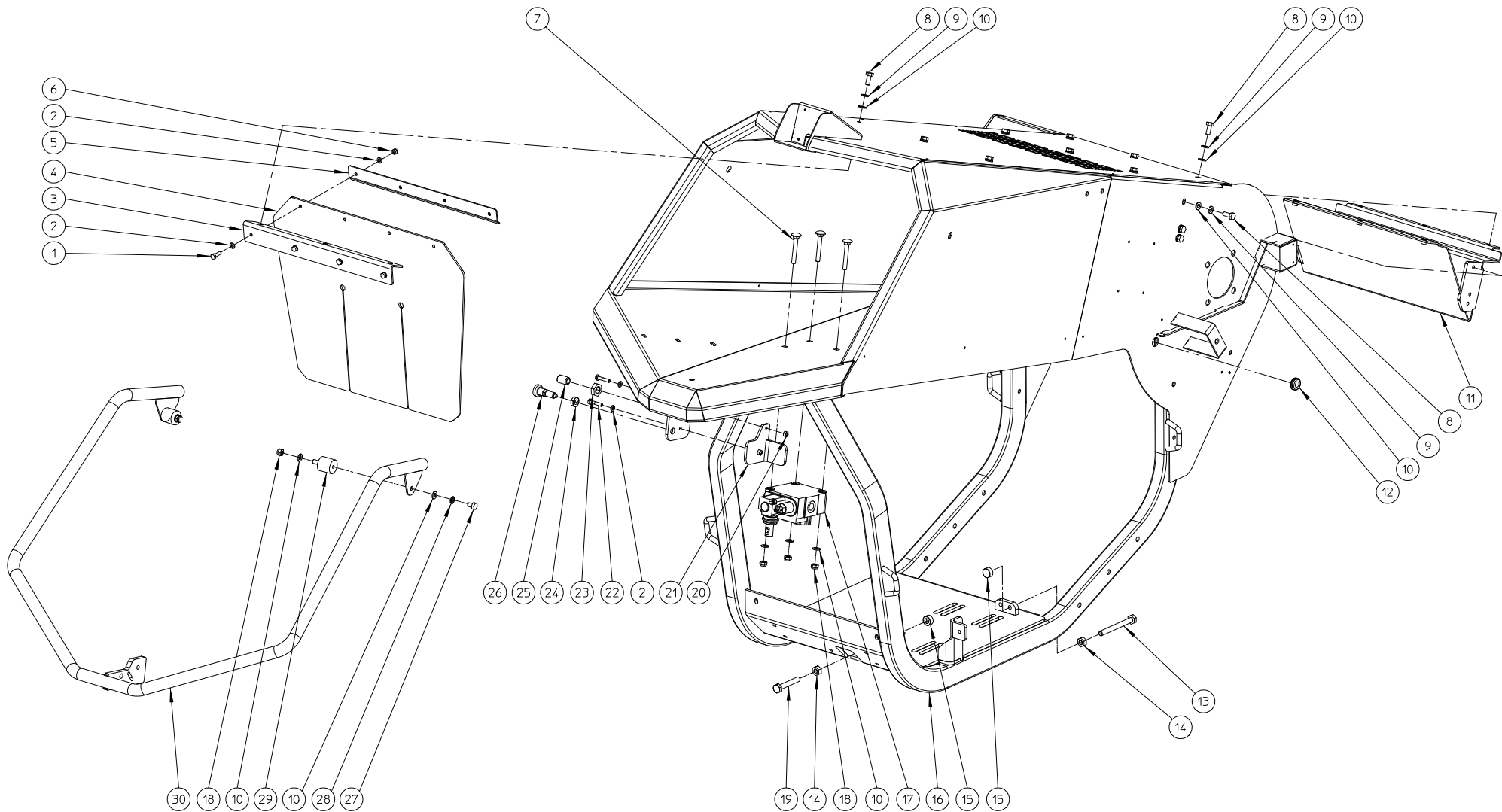


Partial1
SCALE 1:4



ELIET SP 2015 – COLLECTING BAG					
NO	MMA 01 073 310	REV	1	DATE	2021/02/17

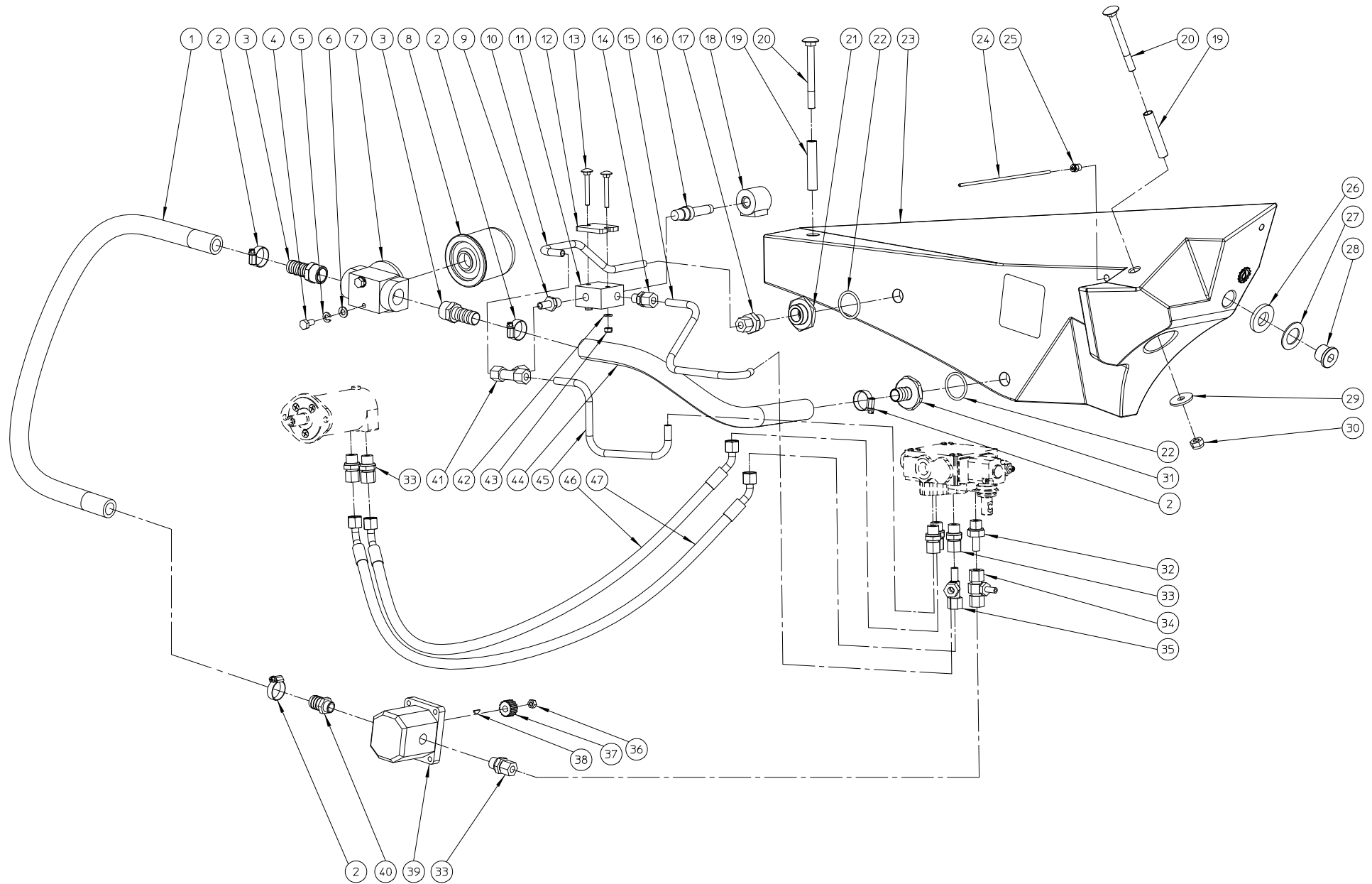
#	Order nr	article description	quantity
1	BS 552 100 625	screw m6x25 type kf	4
2	MPA 01 074 330	support discharge collecting	1
3	MPA 01 074 420		1
4	BS 531 000 600	washer m6 din 125	8
5	BS 512 000 610	bolt m6x10 din 933	8
6	BQ 348 006 010	discharge collecting bag	1
7	MPA 01 074 350	support discharge collecting	1
8	BS 512 000 816	bolt m8x16 din 933	6
9	BS 533 000 800	lock washer m8 din 127b	6
10	BS 531 000 800	washer m8 din 125	2
11	BS 532 008 306	washer m8x30x3	4
12	MPA 01 074 340	hook discharge collecting	2
13	MPA 01 074 320	support discharge collecting	1



ELIET PROF6

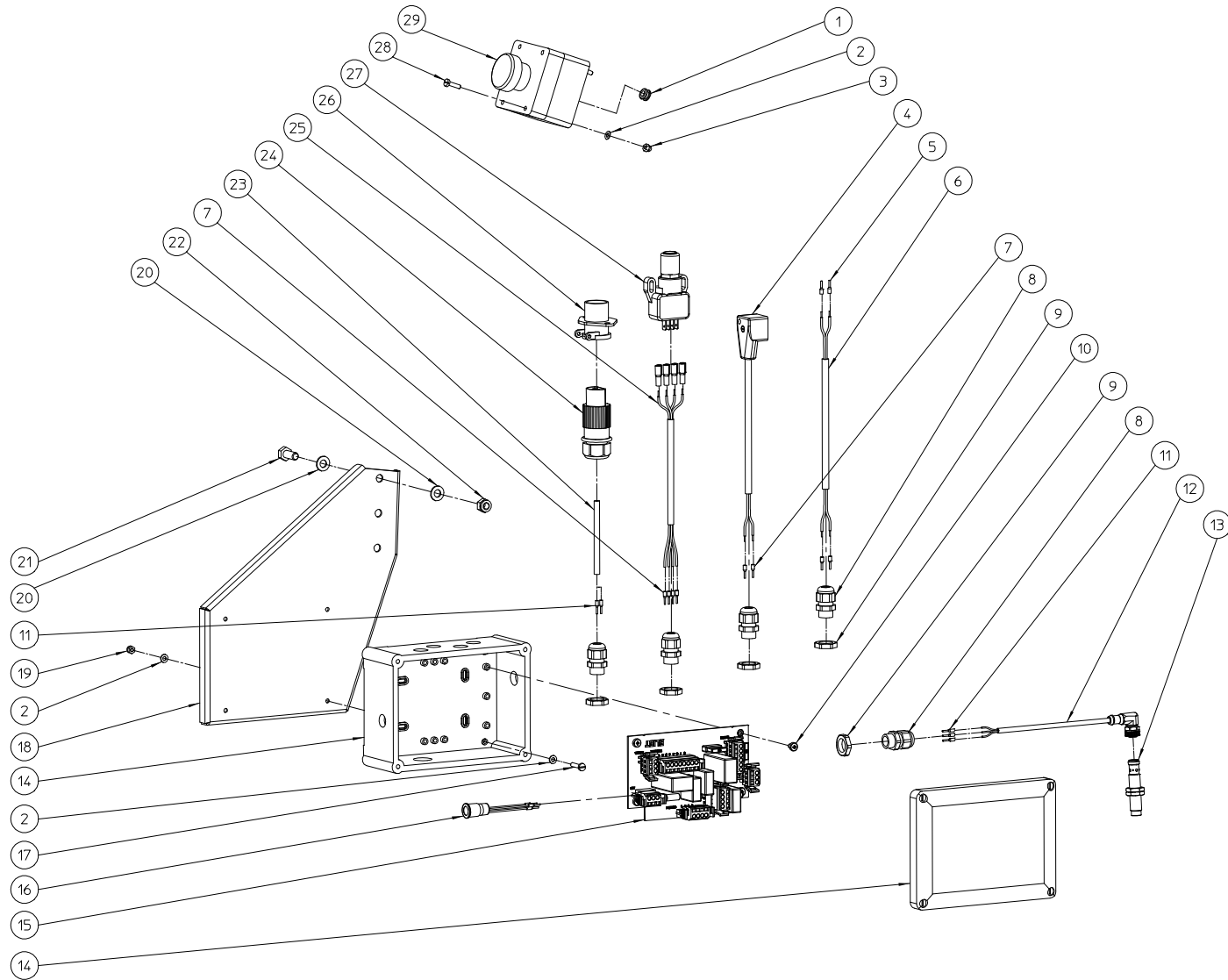
NO	MMA 01 054 610	REV	1	DATE	2021/02/18
----	----------------	-----	---	------	------------

#	Order nr	article description	quantity
1	BS 512 000 620	bolt m6x20 din 933	4
2	BS 531 000 600	washer m6 din 125	10
3	MPA 01 054 230	front fixation rubber protection	1
4	BR 902 000 010	transparant rubber	1
5	MPA 01 054 220	back fixation rubber protection	1
6	BS 502 000 600	self locking nut m6 din 985	4
7	BS 554 100 844	bolt m8x60 din 603	3
8	BS 512 000 820	bolt m8x20 din 933	12
9	BS 533 000 800	lock washer m8 din 127b	12
10	BS 531 000 800	washer m8 din 125	19
11	MPA 01 054 120	anti-return	1
12	BR 000 212 040	grommets 120/200/40	1
13	BS 512 001 050	bolt m10x100 din 933	1
14	BS 501 001 000	nut m10 din 934	2
15	MPA 01 074 440	spacer ring tension engine	2
16	MPA 01 054 050	chassis prof 6 zr cc	1
17	BH 400 401 101	hydraulic valve sd5-1	1
18	BS 502 000 800	self locking nut m8 din 985	5
19	BS 512 001 045	bolt m10x65 din 933	1
20	BS 501 000 600	nut m6 din 934	2
21	MPA 01 054 210	countre plate safety bar	1
22	BS 511 000 630	bolt m6x30 din 931	2
23	BS 501 901 600	nut m16 din 439	1
24	BS 501 901 202	nut m12x1 din 439b	1
25	BS 351 601 624	spring loaded plunjer m16x24	1
26	BN 000 212 550	locking bolts with locking groove	1
27	BS 512 000 812	bolt m8x12 din 933	2
28	BS 534 000 800	lock washer m8 din 6798a	2
29	BR 600 130 301	antivibration blocks 30x30b m8x16	2
30	MPA 01 054 200	safety bar	1



ELIET PROF6					
NO	MMA 01 054 620	REV	1	DATE	2021/02/18

#	Order nr	article description	quantity
1	BR 212 019 085		1
2	BT 670 117 290	hose clamp 17x29mm	4
3	BT 136 261 219	adaptor Ø 19mm - 3/4"	2
4	BS 512 000 816	bolt m8x16 din 933	2
5	BS 533 000 800	lock washer m8 din 127b	2
6	BS 531 000 800	washer m8 din 125	2
7	BH 280 612 120	support hydraulic filter 3/4"	1
8	BH 280 212 010	filter element 3/4"	1
9	BH 512 611 004	standpipe adaptor 10lx1/4"	1
10	MPA 01 054 720	return tube	1
11	BH 410 001 610		1
12	MPA 01 054 540	support electrovanne	1
13	BS 554 100 642	bolt m6x50 din 603	2
14	BH 509 211 004	male stud coupling 10lx1/4"	1
15	MPA 01 054 710	electrovanne tube	1
16	BH 410 001 620	valve bolt	1
17	BH 509 211 008	male stud coupling 10lx1/2"	1
18	BH 410 001 630	valve bolt	1
19	MPA 01 054 530	tube support tank	2
20	BS 554 101 050	bolt m10x100 din 603	2
21	MPA 01 311 360	connector mf1/2"x1/2"	1
22	BH 812 345 350	o-ring 34,52 x 3,53 mm viton	2
23	BY 717 212 010		1
24	BH 646 020 040	hose blue 20cm	1
25	BH 642 020 040	plug-in coupling 1/8 "diam 4 mm	1
26	BR 901 204 406		1
27	MPA 01 054 970	washer	1
28	BH 518 501 200	plug allen 3/4 r	1
29	BS 532 010 356	washer m10x35x3	2
30	BS 502 001 000	self locking nut m10 din 985	2
31	MPA 01 073 890	adaptor Ø 20mm - 1/2"	1
32	BH 512 671 006	standpipe adaptor 10sr3/8"	1
33	BH 509 211 006	male stud coupling 10lx3/8"	6
34	BH 563 000 100	manometer coupler 10lxm16x2	1
35	BH 512 111 000	rotary l-fitting female 10l	1
36	BS 501 000 700	nut m7 din 934	1
37	BH 281 201 011	gear wheel z14 25x22 din5482 gr 2/1	1
38	BB 321 020 512	key 2x5x12.65 din 6888	1
39	BH 210 103 200	hydraulic pump 3.2cc	1
40	BT 136 260 620		1
41	BH 510 011 000	equal tee 10l	1
42	BS 531 000 600	washer m6 din 125	2
43	BS 502 000 600	self locking nut m6 din 985	2
44	BR 212 019 038		1
45	MPA 01 054 700	return hydr. oil	1
46	BH 551 040 870	flexible hydraulic hose 1/4"x870	1
47	BH 551 040 890	flexible hydraulic hose 1/4"x895	1



NO	MMA 01 054 660	REV	1	DATE
----	----------------	-----	---	------

#	Order nr	article description	quantity
1	BR 000 206 203	rubber grommets	1
2	BS 531 000 400	washer m4 din 125	10
3	BS 505 500 400	nut m4 din 1587	2
4	BH 410 001 410	valve plug with cable din43650	1
5	BE 033 002 300	connecting clamp	4
6	BE 094 012 650		1
7	BE 033 002 200	connecting clamp	2
8	BE 071 070 901		5
9	BE 071 080 901		5
10	BS 549 014 209	screw Ø4.2x9 din 7981	4
11	BE 033 002 100	connecting clamp	2
12	BE 099 005 403		1
13	BE 400 010 500	sensor	1
14	BE 141 511 072	electric box ip55	1
15	BE 700 054 000	pcb prof 6	1
16	BE 036 000 700	ticolor led indicator	1
17	BS 541 000 420	screw m4x20 din 84	4
18	MPA 01 054 830		1
19	BS 502 000 400	self locking nut m4 din 985	4
20	BS 531 000 800	washer m8 din 125	2
21	BS 512 000 820	bolt m8x20 din 933	1
22	BS 502 000 800	self locking nut m8 din 985	1
23	BE 092 435 001		1
24	BY 707 020 403	plug 3-pin plastic 12v / 25a male	1
25	BE 099 005 402		1
26	BY 707 010 403	plug 3-pin plastic 12v / 25a female	1
27	BE 120 030 020	safety switch	1
28	BS 541 000 416	screw m4x16 din 84	4
29	BE 122 710 001	pressure button red with lock	1